

# VBN Threaded Control Ball Valves and Actuators

## SPECIFICATION DATA

### APPLICATION

The VBN2 2-Way Control Ball Valves and VBN3 3-Way Control Ball Valves control hot and chilled water with glycol solutions up to 50% in heating, ventilating, and air conditioning (HVAC) systems to provide two-position or modulating functions. These control ball valves can be ordered alone or with spring return or non-spring return actuators.

### VBN2, VBN3



### FEATURES

- Sizes from 1/2 to 3 in. with internal (female) NPT connections.
- Equal percentage flow characteristic.
- Reduced B port  $C_V$  for constant loop flow.
- Choice of factory-installed actuation: floating, modulating (2-10 V), spring return or non-spring return 2-Position, Spring Return Modulating/Floating.
- Field configurable for normally open or normally closed fail-safe position.
- Removable manual operating handle to control valve during installation or in an event of power failure.
- Actuator can be mounted on the valve in any of four orientations.
- Field-serviceable stem assembly.
- Wide range of  $C_V$  choices from 0.33 to 266.
- Nickel-chrome plated brass or 316 stainless steel ball and stem.

- Valve installs in a globe valve “T” pattern, no extra elbows or piping required.
- Mixing or Diverting control for 3-way valves.
- ANSI Class IV seat leakage specification (0.01% of  $C_V$ ) for 3-way A port and ANSI Class III seat leakage specification (0.1% of  $C_V$ ) for 3-way B port.

### SPECIFICATIONS

**Valve Type:** Control Ball Valve

**Body Pattern:** 2-way, 3-way

**Connection Type:** Female NPT

**Controlled Fluid:** Chilled or hot water with up to 50% Glycol. Not for use with steam or fuels.

**Leakage Rating:** ANSI Class IV (0.01% of  $C_V$  maximum) for 3-way A port and ANSI Class III seat leakage specification (0.1% of  $C_V$ ) for 3-way B port

**Maximum Safe Operating Rating:** 360 psi (2482 kPa)

**Fluid Temperature Range:** -22°F to +250°F (-30°C to +121°F)

**Materials:**

Body: Brass

Stem: Brass

Ball: Chrome-plated brass or stainless steel

Seat: Teflon® seals with EPDM O-rings

Flow Control Insert: Noryl®

**Body Style:**

2-way ball valve, straight-through flow, full or reduced port using patented flow control insert.

3-way ball valve, A-B-AB flow, full or reduced port using patented flow control insert.

Internal NPT connections.

**Body Pressure Rating (maximum):**

360 psi (2482 kPa) at 250°F (121°C).

**Medium Temperature Range:**

-22 to +250°F (-30 to +121°C).

**Flow Characteristics:**

2-way: Equal Percentage with flow control insert.

3-way: Port A to AB: Equal Percentage.

Port B to AB: Linear.



VBN THREADED CONTROL BALL VALVES AND ACTUATORS

**Approvals/Standards:**

Valves: ANSI Class IV close-off/leakage (maximum 0.01% of C<sub>v</sub> let by)

Actuators: See literature for the given actuator.

**Table 1. VBN Model Selection Table.**

Model Selection: Ball Valve							Profile	Actuator	Fail Position	Accessories
Valve	Fitting	Body/ Flow Type	Size	C <sub>v</sub>	Trim					
VB - ball valve								MVN613A0000	Fail in place	C1- 1 meter
	N- Female NPT threaded							MVN613L0000		
	2 - 2-way							MVN643A0000		
	3 - 3-way							MVN643L0000		
	A--- 1/2 (DN15)							MVN713A0000		
	B--- 3/4 (DN20)							MVN713L0000		
	C--- 1 (DN25)							MN6105A1011	FSO = Fail Safe Open FSC = Fail Safe Closed FSA = Fail A-AB Open FSB = Fail B-AB Open	3R
	D--- 1-1/4 (DN32)							MS7505A2030		
	E--- 1-1/2 (DN40)							MS8105A1030		
	F--- 2 (DN50)									
	G--- 2-1/2 (DN65)									
	H--- 3 (DN80)									
	xxx.xx - C <sub>v</sub> Designator see Table 5									
	P- Plated Brass S - Stainless Steel									
	A* - Standard Base L** - Low Profile									
VB	N	2	A	004.70	P	A	+	MVN613A0000	+	C1

**Example part number: VBN2A004.70PA+MVN613A0000+C1**

\* Standard base provides clearance between valve and actuator for insulation.

\*\*Low profile enables installation of valve and actuator in tight spaces.

**Table 2. Actuator Control Description.**

Actuator	Control
MVN613A0000	Floating (90 sec. timing)
MVN613L0000	
MVN643A0000	Fast Acting SPDT (30 sec. timing)
MVN643L0000	
MVN713A0000	Modulating
MVN713L0000	
MN6105A1011	On/Off, Floating
MN7505A2001	Floating, Modulating, On/Off (SPDT)
MS7505A2030	
MS8105A1030	Two-Position (SPST)

## MVN Actuator



## APPLICATION

MVN 3Nm (27 lb-in.) Control Valve Actuator is used with the VBN2 2-way and the VBN3 3-way Control Ball Valves to control hot and chilled water with glycol solutions up to 50% in heating, ventilating, and air conditioning (HVAC) systems to provide two-position or modulating functions.

## FEATURES

- **Non-spring Return**
- **Floating and modulating**
- **Space saving, click-on installation – no tool required**
- **Extendable position indicator for easy commissioning**
- **Available with or without cable**
- **Compatible with control ball valves from 1/2 to 1-1/4 inches.**
- **Actuator can be mounted on the valve in any of four positions.**

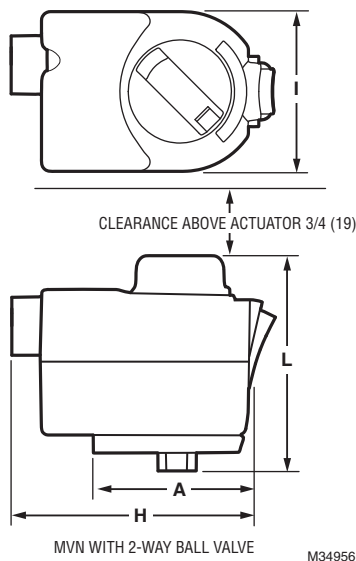


Fig. 1. MVN with 2-way ball valve. See Table 4.

## SPECIFICATIONS

**Actuator Type:** Valve

**Rotational Stroke:** 90° ±3°.

**Fail Safe Mode:** Non-spring return, Fail in place

**Torque:** 27 lb-in. (3 Nm).

**External Auxiliary Switches Available:** No

**Supply Voltage:** 24 Vac +20%, -15%, 24 Vdc

**Power Consumption:** 5 VA- Modulating; 1.5 VA - Floating; 6 VA - Fast Acting SPDT

**Environmental Rating:** NEMA2

**Frequency:** 50 Hz; 60 Hz

**Mounting:** Click-on installation – no tool required

**Noise Rating at 1m (Maximum):** 35 dB(A) max at 1 m [50 dB (A) for MVN643].

**Materials:** Plenum rated plastic housing

**Operating Humidity Range (% RH):** 5 to 95% RH, non-condensing

**Ambient Temperature Range:** -4°F to 131°F (-20°C to 55°C)

**Storage Temperature Range:** -40°F to 176°F (-40°C to 80°C)

**Weight:** See Table 4 (2-way) and Table 5 (3-way)

**Dimensions:** See Fig. 4-6, Table 4 (2-way) and Table 5 (3-way).

**Timing:** 90 sec. for MVN613 and MVN713; 30 sec. for MVN643

**Electrical Connections:** Field wiring 18 to 20 AWG to screw terminals, located under the removable access cover.

**Humidity Ratings:** 5% to 95% RH noncondensing.

**Design Life (at Rated Voltage):** 60,000 cycles; 1 cycle = 0°...90°...0°

**Cable Specification:**

18 AWG, Plenum Rated, 300 V, 10 A, 3 ft. length from end of access cover.

**Environmental Protection Ratings:** IP40.

**Approvals:**

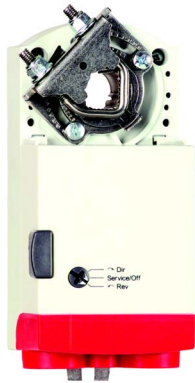
UL/cUL; UL60730

Table 3. Actuators and Accessories

Actuator	Description	Accessory
MVN613A0000	Floating control ball valve actuator	C1- 1 meter cable
MVN613L0000	Floating control ball valve actuator	
MVN643A0000	Fast acting SPDT control ball valve actuator	
MVN643L0000	Fast acting SPDT control ball valve actuator	
MVN713A0000	Modulating control ball valve actuator	
MVN713L0000	Modulating control ball valve actuator	

To order actuator with accessories order actuator part number + accessory. For example: MVN613A0000 + C1

## Non-Spring Return Direct Coupled Actuator



## APPLICATION

This non-spring return direct-coupled damper actuator provides modulating and floating/2-position control for: air dampers, air handlers, ventilation flaps, louvers, and reliable control for air damper applications with up to 10 sq. ft./ 44lb.-in. (5 Nm) and 20 sq. ft./88 lb.-in. (10 Nm) (seal-less damper blades; air friction-dependent).

## FEATURES:

- **Declutch for manual adjustment**
- **Adjustable mechanical end limits**
- **Access cover includes enclosed screw terminal strip (22 to 14 AWG) for electrical connections**
- **Models available with 3 foot 18 AWG color-coded cable**
- **Mountable in any orientation**
- **Function selection switch for selecting modulating or floating/2-position control**

## SPECIFICATIONS

**Actuator Type:** Damper; Valve

**Rotational Stroke:** 95° ±3 degrees

**Fail Safe Mode:** Non-spring return, Fail in place

**Torque:** 44 lb-in. (5 Nm)

**External Auxiliary Switches Available:** Yes, SSW2-1M

**Environmental Rating:** NEMA2

**Frequency:** 50 Hz; 60 Hz

**Manual operation:** Declutch mechanism

**Mounting:** Direct coupled

**Maximum Noise Rating, Driving (dBA @ 1m):** 35

**Rotation to Open:** By switch

**Rotational Stroke Adjustment:** Dual Integral Adj. Stops (3 degree increments)

**Compatible Damper Shafts:** 1/4 to 1/2 in. square or 3/8 to 5/8 in. round (6 to 13 mm square or 8 to 16 mm round)

**Shaft Adapter Type:** U-bolt clamp

**Supply Voltage:** 24 Vac +20%, -15%, 24 Vdc

**Power Consumption:** 5 VA

**Materials:** Plenum rated plastic housing

**Ingress Protection Rating:** IP54

**Operating Humidity Range (% RH):** 5 to 95% RH, non-condensing

**Ambient Temperature Range:** -5°F to +140°F (-20°C to +60° C)

**Storage Temperature Range:** -22°F to +176°F (-30°C to +80°C)

**Weight:** 1 lb (0.45 kg)

**Includes:** Mounting bracket, screws, shaft adapter, water-tight strain-relief cable fittings

**Comments:** Integral 1/2 in. NPSM conduit connection.

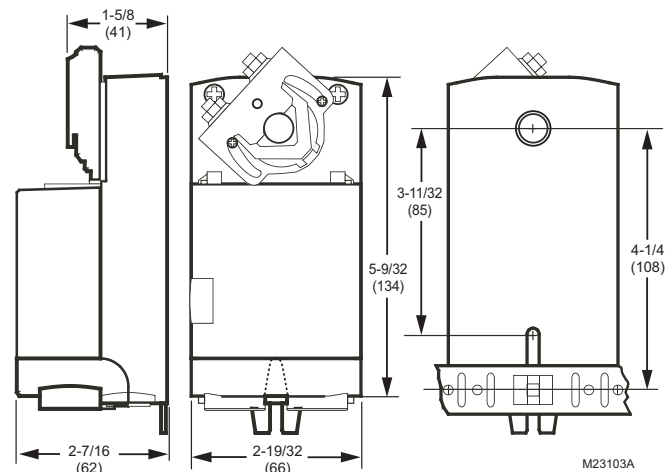
### Approvals:

CE: 89/336/ECC, 73/23/EEC

C-Tick: N314

Underwriters Laboratories, Inc.: UL873, Plenum Rated

Canadian Underwriters Laboratories, Inc.: cUL C22.2 No. 24-93



**Fig. 2. Non-spring return direct coupled actuator dimensions diagram.**

## Spring Return Direct Coupled Actuator



## APPLICATION

MS4105, MS7405, MS7505, and MS8105 Spring Return Direct Coupled Actuators (DCA) are used within heating, ventilating, and air-conditioning (HVAC) systems. They can drive a variety of quarter-turn, final control elements requiring spring return fail-safe operation.

## FEATURES

- **Brushless DC submotor with electronic stall protection on all models**
- **Self-centering shaft adaptor (shaft coupling) for wide range of shaft sizes**
- **Access cover includes enclosed screw terminal strip (22 to 14 AWG) for electrical connections.**
- **Models available with 3 foot 18 AWG color-coded cable**
- **Durable plastic housing with built-in mechanical end limits**
- **Spring return direction field selectable**
- **Shaft position indicator and scale**
- **UL (cUL) listed and CE compliant**
- **All models are plenum rated per UL873**

## SPECIFICATIONS

**Actuator Type:** Damper; Valve

**Rotational Stroke:** 95 ±3 degrees

**Fail Safe Mode:** Spring Return

**Torque:** 44 lb-in. (5 Nm)

**Spring Return Torque:** 44 lb-in. (5 Nm)

**Spring Return Direction:** By orientation

**External Auxiliary Switches Available:** No

**Environmental Rating:** NEMA2

**Frequency:** 50 Hz; 60 Hz

**Mounting:** Direct Coupled

**Maximum Noise Rating, Holding (dBA @ 1m):** 20 (no audible noise)

**Maximum Noise Rating, Driving (dBA @ 1m):** 50

**Rotation to Open:** By switch

**Supply Voltage:** 24 Vac +20%, -15%, 24 Vdc

**Power Consumption:** 5 VA

**Rotational Stroke Adjustment:** Mechanically limited 5 degree increments

**Compatible Damper Shafts:** 1/4 to 1/2 in. square or 3/8 to 5/8 in. round (6 to 13 mm square or 9 to 16 mm round)

**Shaft Adapter Type:** Self-centering clamping

**Materials:** Plenum rated plastic housing

**Operating Humidity Range (% RH):** 5 to 95% RH, non-condensing

**Ambient Temperature Range:** -40°F to +149°F (-40°C to +65°C) for two-position actuators only

**Storage Temperature Range:** -40°F to +150°F (-40°C to +65°C)

**Weight:** 3.5 lb. (1.6 kg)

**Includes:** Mounting bracket, self-centering shaft adapter

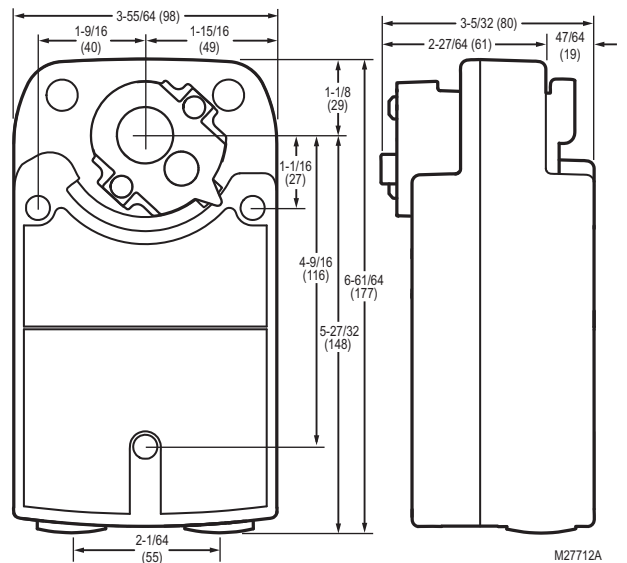
### Approvals:

CE: EMC 2004/108/EC; Certification Low Voltage Directive 2006/95/EC; IEC 60730-1 and Part 2-14

C-Tick: N314

Underwriters Laboratories, Inc.: UL873

Canadian Underwriters Laboratories, Inc.: cUL C22.2 No. 24-93



**Fig. 3. Spring return direct coupled actuator dimensions diagram.**

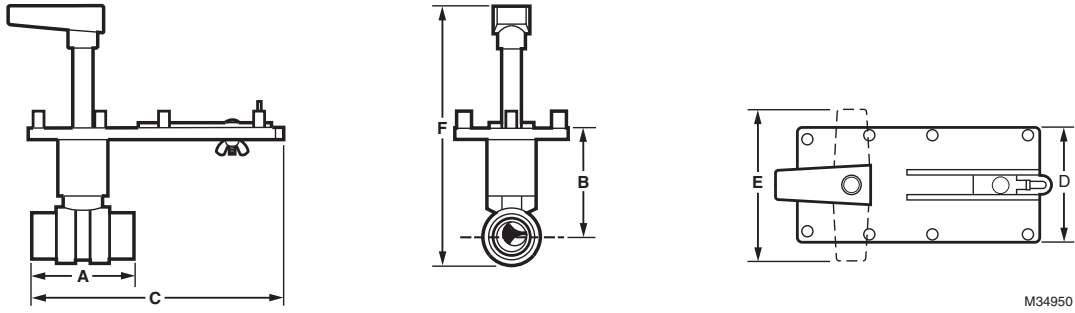


Fig. 4. MVN with 2-way ball valve dimensions. See Table 4.

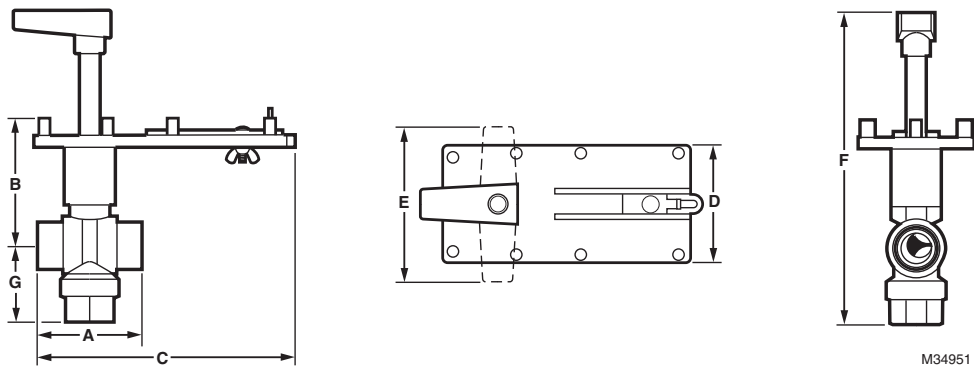


Fig. 5. MVN with 3-way ball valve dimensions. See Table 4.

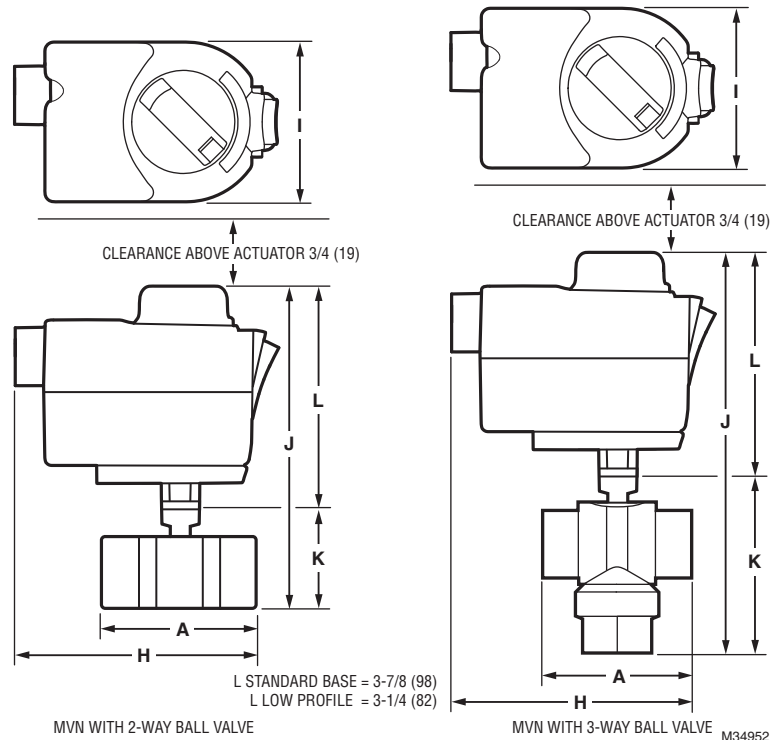


Fig. 6. MVN with 2-way and 3-way ball valve dimensions in inches (millimeters). See Table 4 and Table 5.

**Table 4. VBN2 dimensions in inches (millimeters).**

Pipe Size			C <sub>v</sub> Designators	MVN WITH 2-WAY BALL VALVE Dimensions in in. (mm)											Weight (valve only) lbs.	Replacement Stem Assembly	
In.	(DN)	Code		A	B	C	D	E	F	H	I	J (w/ std)	J (w/ low)	K			
1/2	15	VBN2A	0.38, 0.68, 1.30, 2.00, 2.60, 4.70, 11.70*	2-3/8 (60)	3-7/16 (87)	6-5/8 (168)	3 (76)	4 (102)	8-1/8 (206)	4-9/16 (116)	2-3/16 (71)	5-7/16 (139)	4-13/16 (123)	1-5/8 (41)	1	5112-19 5112-22 (SS)	
			8.00	2-5/8 (67)	3-11/16 (94)	6-1/2 (165)	3 (76)	4 (102)	8-5/16 (211)			5-5/8 (143)	5 (127)	1-13/16 (45)	1		
3/4	20	VBN2B	0.31, 0.63, 1.20, 2.50, 4.30, 7.40, 14.70 *	2-3/8 (60)	3-7/16 (87)	6-7/16 (164)	3 (76)	4 (102)	8-1/8 (206)			5-7/16 (139)	4-13/16 (123)	1-5/8 (41)	1		5112-20 5112-23 (SS)
			10.10, 29.00*	2-5/8 (67)	3-11/16 (94)	6-1/2 (165)	3 (76)	4 (102)	8-5/16 (211)			5-5/8 (143)	5 (127)	1-13/16 (45)	1		
1	25	VBN2C	9.00	3-3/4 (95)	3-11/16 (94)	7-1/16 (179)	3 (76)	4 (102)	8-5/16 (211)			6 (153)	5-3/8 (137)	2-3/16 (55)	1.4		5112-21 5112-24 (SS)
			4.40, 15.30, 54.00*	3-1/16 (77)	3-15/16 (100)	6-3/4 (171)	3 (76)	4 (102)	8-11/16 (221)			6-3/16 (158)	5-9/16 (142)	2-3/8 (60)	2.4		
			26.00, 44.00*	4-5/16 (109)	4-7/16 (113)	7-3/8 (187)	3 (76)	4 (102)	8-7/8 (225)			6 (152)	5-3/8 (137)	2-1/8 (54)	1.4		
1-1/4	32	VBN2D	4.40, 8.30, 14.90, 25.00, 41.00*	3 (76)	3-15/16 (100)	6-11/16 (170)	3 (76)	4 (102)	8-11/16 (221)			6-3/8 (162)	5-3/4 (146)	2-9/16 (64)	2.4		5112-21 5112-24 (SS)
			37.00, 102.00*	3-5/8 (92)	4-7/16 (113)	7 (178)	3 (76)	4 (102)	9-1/16 (231)						2.4		
1-1/2	40	VBN2E	23.00, 30.00, 74.00*	3-7/16 (87)	3-15/16 (100)	6-15/16 (176)	3 (76)	4 (102)	9-1/16 (231)						2.4		5112-21 5112-24 (SS)
			41.00, 172.00*	4-1/16 (103)	5-3/16 (132)	7-1/16 (179)	3 (76)	4 (102)	8-7/8 (225)						3.2		
2	50	VBN2F	42.00, 108.00*	4 (101)	3-3/4 (95)	7-3/16 (183)	3 (76)	4 (102)	8-7/8 (225)						3.2		5112-21 5112-24 (SS)
			57.00, 71.00, 100.00, 210.00, 266.00*	4-15/16 (125)	4-1/16 (103)	7-7/16 (188)	3 (76)	4 (102)	10-1/2 (267)				5				
2-1/2	65	VBN2G	45.00, 55.00, 72.00, 101.00, 162.00, 202.00*	5-5/16 (135)	4-1/16 (103)	7-9/16 (192)	3 (76)	4 (102)	10-1/2 (267)				5.5	5112-21 5112-24 (SS)			
3	80	VBN2H	49.00, 63.00, 82.00, 124.00, 145.00*	5 (127)	5-7/8 (149)	7-11/16 (196)	3 (76)	4 (102)	10-11/16 (271)				5.9				

\*Indicates full port valve: no flow characterizing insert.

\*\* Replacement stems available in brass or stainless steel--use accordingly to valve part number.

**Table 5. VBN3 dimensions in inches (millimeters).**

Pipe Size			C <sub>v</sub> Designators	MVN WITH 3-WAY BALL VALVE Dimensions in in. (mm)											Weight (valve only) lbs.	Replacement Stem Assembly		
In.	(DN)	Code		A	B	C	D	E	F	G	H	I	J (w/ std)	J (w/ low)			K	
1/2	15	VBN3A	0.33, 0.59, 1.00, 2.40, 4.30, 8.00	3-1/2 (89)	3-5/16 (84)	7 (178)	3 (76)	4 (102)	9-3/8 (238)	2-3/8 (60)			6-11/16 (170)	6-1/16 (154)	2-7/8 (72)	2.4	5112-19	
3/4	20	VBN3B	0.40, 0.66, 1.30, 2.40, 3.80, 11.00*	2-13/16 (71)	3-5/16 (84)	6-1/2 (165)	3 (76)	4 (102)	8-13/16 (224)	2(51)			6-1/8 (156)	5-1/2 (140)	2-5/16 (58)	2		
1	25	VBN3C	0.40, 0.65, 1.30, 2.30, 3.50	3-13/16 (97)	3-5/16 (84)	7-5/16 (185)	3 (76)	4 (102)	9-1/2 (241)	2-3/4 (70)			6-13/16 (173)	6-3/16 (157)	3 (75)	2.8		
			8.60, 22.00	3 (76)	3-13/16 (97)	6-13/16 (173)	3 (76)	4 (102)	9-13/16 (249)	2-5/8 (67)	4-9/16 (116)	2-13/16 (71)	7-1/8 (181)	6-1/2 (165)	3-5/16 (83)	2.6		
			4.50, 14.90, 31.00	4-5/16 (114)	4 (102)	7-13/16 (198)	3 (76)	4 (102)	10-13/16 (275)	3-1/4 (83)			8-1/8 (207)	7-1/2 (191)	4-5/16 (109)	3.3		
1-1/4	32	VBN3D	4.10, 8.70, 19.00*	3 (76)	3-13/16 (97)	6-13/16 (173)	3 (76)	4 (102)	9-13/16 (249)	2-1/2 (64)			7-1/8 (181)	6-1/2 (165)	3-5/16 (83)	2.5	5112-20	
			12.70, 27.00, 34.00*	3-5/8 (91)	4 (102)	7-5/16 (185)	3 (76)	4 (102)	10-5/16 (262)	2-3/4 (70)			7-5/8 (194)	7 (178)	3-13/16 (96)	2.8		
1-1/2	40	VBN3E	4.00, 8.30, 13.40, 32.00*	4-5/16 (114)	4 (102)	7-13/16 (198)	3 (76)	4 (102)	10-13/16 (275)	3-1/4 (83)							3.3	5112-21
			24.00, 61.00	4 (102)	4-1/2 (114)	7-5/16 (185)	3 (76)	4 (102)	11 (279)	3-1/4 (83)							3.3	
2	50	VBN3F	24.00, 38.00, 57.00	4 (102)	4-1/2 (114)	7-5/16 (185)	3 (76)	4 (102)	11 (279)	3-1/4 (83)							3.3	
			83.00, 109.00	5 (127)	5-13/16 (147)	7-13/16 (198)	3 (76)	4 (102)	12-5/16 (313)	3-3/4 (95)							3.8	
2-1/2	65	VBN3G	38.00, 74.00, 100.00	5 (127)	5-13/16 (147)	7-13/16 (198)	3 (76)	4 (102)	12-5/16 (313)	3-3/4 (95)							3.8	

\*Indicates full A-port: no flow characterizing insert.

### Rangeability

Rangeability is a measure of a valve's controllability. It is a measured property and is expressed as the ratio of a valve's maximum flow rate to its minimum controllable flow rate.

**Table 6. 2-way available C<sub>v</sub> and Rangeability.**

VBN2A	C <sub>v</sub>	0.38	0.68	1.30	2.00	2.30	4.70	8.00	11.70	
	Rangeability	41	17	52	*	321	159	390	251	
VBN2B	C <sub>v</sub>	0.31	0.63	1.20	2.50	4.30	7.40	10.10	14.70	29.00
	Rangeability	41	17	52	321	159	*	390	251	1503
VBN2C	C <sub>v</sub>	4.40	9.00	15.30	26.00	44.00	54.00			
	Rangeability	159	390	1040	484	1263	1207			
VBN2D	C <sub>v</sub>	4.40	8.30	14.90	25.00	37.00	41.00	102.00		
	Rangeability	159	390	1040	*	484	1207	1263		
VBN2E	C <sub>v</sub>	23.00	30.00	41.00	74.00	172.00				
	Rangeability	484	*	603	1263	558				
VBN2F	C <sub>v</sub>	42.00	57.00	71.00	100.00	108.00	210.00	266.00		
	Rangeability	603	*	287	*	558	750	877		
VBN2G	C <sub>v</sub>	45.00	55.00	72.00	101.00	162.00	202.00			
	Rangeability	250	*	287	558	750	877			
VBN2H	C <sub>v</sub>	49.00	63.00	82.00	124.00	145.00				
	Rangeability	250	287	558	750	877				



## Effective C<sub>V</sub>

For effective C<sub>V</sub>s for Honeywell control ball valves when used with pipe reducers, refer to the Product Data sheet form no. 62-2648.

## Application Notes

### IMPORTANT

*Valve sizing is important for correct system operation. Undersized valves do not have sufficient capacity at maximum load. Oversized valves do not have sufficient authority over the load in modulating applications.*

*Oversized valves can cause excessive cycling and the seat and ball can be damaged because of the restricted opening.*

## Proper Use

These valves are only for use in cold, warm, and hot water systems. Not suitable for oil, combustible gases, or steam. They are designed for a medium temperature range of from 35 to 250°F, at a maximum pressure of 360 psig VBN valves are to be operated with the appropriate Honeywell direct coupled actuators only.

Water should be properly filtered, treated and conditioned according to local conditions and the recommendations of the boiler or chiller manufacturers. The installation of a strainers and filters is recommended.

### IMPORTANT

*The presence of excessive iron oxide (red rust) in the system voids the valve warranty.*

## Required Operating Torque

Both Honeywell non-spring return MVN and spring return low torque direct coupled actuators can be utilized with the VBN2 and VBN3 valves. VB valves use a patented seat design that reduces the torque needed from the actuator.

**Table 7. Close-off, Differential Pressure Ratings.**

Valve Type	Valve Size (in.)	Close-off Pressure Rating (psid)
2-way	1/2, 3/4	130
	1, 1-1/4, 1-1/2, 2, 2-1/2, 3	100
3-way	1/2, 3/4, 1	50
	1-1/4, 1-1/2, 2, 2-1/2	40

**NOTE:** 3-way close-off ratings apply to 3-way valves with the B port plugged

## TYPICAL SPECIFICATIONS

### Valve Actuator

Direct coupled actuator shall accept analog modulating [(0)2-10 Vdc], floating (tri-state), or two-position signal as indicated in the control sequence. Actuators shall be by Honeywell. Actuator shall provide minimum torque required for full valve shutoff position. Wiring terminals shall be provided for installation to control signal and power wiring.

Actuator shall be available with housing suitable for outdoor installation.

Accessories Identification tags shall be available for all valves; tags shall be indelibly marked with C<sub>V</sub>, model number, and tag location.

### Ball Valve

Valve housing shall consist of forged brass rated at no less than 360 psi at 250°F. Standard valve ball shall consist of chemically nickel-plated brass. Manufacturer shall be able to provide optional 316 stainless steel ball and stem for 2-way valves. Valve shall have a blow-out proof stem with two EPDM O-rings with minimum 600 psi rating. Manufacturer shall be able to provide glass-filled polymer ball insert to make flow control equal percentage. Valves shall be Honeywell. The 2-way valves shall have EPDM O-rings behind ball seals to allow for a minimum close-off pressure of 100 psi with actuator which provides 35 lb-in. torque for 1/2 to 3 in. sizes. Valve shall be available with a minimum of 53 unique C<sub>V</sub> values. Valve shall be available with threaded (FNPT) end connections. The 3-way valves shall be installed in a “T” configuration with actuator perpendicular to shaft. Valve shall not require elbows of any kind. The 3-way valves shall have EPDM O-rings behind ball seals to allow for a minimum close-off pressure of 40 psi with an actuator that provides 35 lb-in. torque for 1/2 to 2-1/2 in. sizes. The 3-way valves must be available in both mixing and diverting configurations and shall be available with a minimum of 42 unique C<sub>V</sub> values. Valve shall be available with threaded (FNPT) end connections.

**Table 8. Actuator Accessories and Replacement Parts.**

Part Number	Description	MVN613A0000	MVN613L0000	MVN643A0000	MVN643L0000	MVN713A0000	MVN713L0000	MN6105A1011	MN7505A2001	MS7505A2030	MS8105A1030
5112-3R	Weather Enclosure Assembly							x	x	x	x
MVNAAA	Replacement Valve Adaptor	x		x		x					
MVNAAL	Replacement Valve Adaptor, Low Profile		x		x		x				
MVNAC7131	Replacement Cable with Terminal 1m, Modulation (RED, BLACK, WHITE)					x	x				
MVNAC6131	Replacement Cable with Terminal 1m, Floating (RED, BLACK, WHITE)	x	x	x	x						
MVNAT3	Replacement Screw type Terminal Block, Pluggable	x	x	x	x	x	x				
5112-11	Replacement actuator bracket							x	x	x	x
205860	Minimum position Potentiometer							x	x	x	x
32006306-001	Resistor Kit (500 ohm); converts 4-20 mA signal to 2-10 Vdc									x	x
Q7002B1009	Universal Interface Module							x	x	x	x
STRN-SCSA	Self-centering Shaft Adapter									x	x
32000085-001	Strain Relief Fitting (10 pack)							x	x	x	x
AT120A1004	120 to 24 Vac Transformer (20 VA)	x	x	x	x	x	x	x	x	x	x
AT140A1000	120 to 24 Vac Transformer (40 VA)	x	x	x	x	x	x	x	x	x	x
STRN-STRNRLF	Stain Relief Fitting (10 pack)									x	x



**Automation and Control Solutions**

Honeywell International Inc.  
1985 Douglas Drive North  
Golden Valley, MN 55422  
[customer.honeywell.com](http://customer.honeywell.com)

© U.S. Registered Trademark  
© 2013 Honeywell International Inc.  
63-4378EFS—04 M.S. Rev. 10-13  
Printed in United States

**Honeywell**

# Clapets à bille et actionneurs de régulation filetés VBN

## DONNÉES TECHNIQUES

### APPLICATION

Les clapets à bille de régulation à deux voies VBN2 et trois voies VBN3 régulent l'eau chaude et réfrigérée avec des solutions au glycol jusqu'à 50 % dans les systèmes de chauffage, de ventilation et de climatisation (CVCA) pour fournir des fonctions de modulation ou à deux positions. Ces clapets à bille de régulation peuvent être commandés seuls ou avec actionneurs avec ou sans ressort de rappel.

### VBN2, VBN3



### CARACTÉRISTIQUES

- Tailles de 1/2 à 3 po avec raccords femelles NPT internes.
- Caractéristiques de débit à égal pourcentage.
- Coefficient de débit ( $C_v$ ) d'orifice B réduit pour débit de boucle constant.
- Options d'actionnement installées en usine : flottant, modulant (2-10 V), deux positions avec ou sans ressort de rappel, modulant/flottant avec ressort de rappel.
- Configurable sur site pour une position à sécurité intégrée normalement ouverte ou normalement fermée.
- Poignée de manœuvre manuelle amovible pour contrôler le clapet durant l'installation ou en cas de panne de courant.
- L'actionneur peut être monté sur le clapet dans n'importe laquelle des quatre orientations.

- Ensemble tige réparable sur site.
- Grand choix de coefficients de débit de 0,33 à 266.
- Bille et tige en laiton plaqué au nickel ou en acier inoxydable 316.
- Le clapet s'installe dans un clapet à soupape en forme de « T », pas de coudes ou de tuyaux supplémentaires requis.
- Commande de mélange ou de dérivation pour les clapets à 3 voies.
- Spécification de fuite de siège ANSI Classe IV (0,01 % du coefficient de débit) pour l'orifice A 3 voies et spécification de fuite de siège ANSI Classe III (0,1 % du coefficient de débit) pour l'orifice B 3 voies.

### CARACTÉRISTIQUES

**Type de clapet :** Clapet à bille de régulation

**Configuration du corps :** 2 voies, 3 voies

**Type de raccord :** NPT femelle

**Liquide contrôlé :** Eau chaude et refroidie, avec jusqu'à 50 % de glycol. Non destiné à une utilisation avec de la vapeur ou des carburants.

**Taux de fuite :** Spécifications de fuite de siège ANSI Classe IV (0,01 % du coefficient de débit maximum) pour l'orifice A 3 voies et ANSI Classe III (0,1 % du coefficient de débit) pour l'orifice B 3 voies

**Pression maximale de fonctionnement en toute sécurité :** 360 psi (2482 kPa)

**Plage de température du liquide :** - 30 °C à +121 °C (-22 °F à +250 °F)

**Matériaux :**

Corps : Laiton

Tige : Laiton

Bille : Laiton plaqué au chrome ou acier inoxydable

Siège : Joints en Teflon® avec joints toriques en EPDM

Insert de régulation de débit : Noryl®

**Type de corps :**

Clapet à bille à deux voies, passage direct, orifice intégral ou réduit avec insert de régulation de débit breveté.

CLAPETS À BILLE ET ACTIONNEURS DE RÉGULATION FILETÉS VBN

Clapet à bille à trois voies, débit A-B-AB, orifice intégral ou réduit avec insert de régulation de débit breveté. Raccords NPT internes.  
Raccords NPT internes.

**Pression nominale du corps (maximale) :**  
360 psi (2482 kPa) à 121 °C (250 °F).

**Plage de température du liquide :**  
-22 à +121 °C (-30 à +250 °F).

**Caractéristiques du débit :**

2 voies : Égal pourcentage avec insert de régulation du débit.  
3 voies : Orifice A à AB : Égal pourcentage.  
Orifice B à AB : Linéaire.

**Normes d'homologation :**

Clapets : ANSI Classe IV fermeture/fuite (0,01 % max. de coefficient de débit)  
Actionneurs : Voir la documentation de l'actionneur sélectionné.

Tableau 1. Tableau de sélection de modèle VBN.

Sélection de modèle : Clapet à bille							Profil	Actionneur	Position de sécurité	Accessoires
Clapet	Raccord	Corps/Type de débit	Taille	Coefficient de débit	Garniture					
VB - clapet à bille								MVN613A0000	Position maintenue en cas de panne	C1 – 1 mètre
N- NPT femelle fileté							MVN613L0000			
2 - 2 voies							MVN643A0000			
3 - 3 voies							MVN643L0000			
A---1/2 (DN15)							MVN713A0000			
B--- 3/4 (DN20)							MVN713L0000			
C--- 1 (DN25)							MN6105A1011	FSO = Sécurité ouverte FSC = Sécurité fermée FSA = Sécurité A-AB ouverte FSB = Sécurité B-AB ouverte		3R
D--- 1-1/4 (DN32)							MN7505A2001			
E--- 1-1/2 (DN40)							MS7505A2030			
F--- 2 (DN50)							MS8105A1030			
G--- 2-1/2 (DN65)										
H--- 3 (DN80)										
xxx.xx - Désignation C <sub>v</sub> voir tableau 5										
P- Laiton plaqué										
S - Acier inoxydable										
A* - Base standard										
L** - Profil bas										
VB	N	2	A	004,7 0	P	A	+	MVN613A0000	+	C1

**Exemple de référence : VBN2A004.70PA+MVN613A0000+C1**

\* La base standard fournit un écart entre le clapet et l'actionneur pour l'isolation.

\*\* Le profil bas permet l'installation du clapet et de l'actionneur dans des espaces étroits.

Tableau 2. Description de commande d'actionneur.

Actionneur	Clapet
MVN613A0000	Flottant (minuterie 90 sec.)
MVN613L0000	
MVN643A0000	Interrupteur unipolaire bidirectionnel (SPDT) à action rapide (minuterie 30 sec.)
MVN643L0000	
MVN713A0000	Modulant
MVN713L0000	
MN6105A1011	Marche/Arrêt, Flottant
MN7505A2001	Flottant, Modulant, Marche/Arrêt (SPDT)
MS7505A2030	
MS8105A1030	Deux positions (interrupteur unipolaire unidirectionnel (SPST))

## Actionneur MVN



## APPLICATION

L'actionneur de clapet de régulation MVN 3 N.m. (27 lb/po) est utilisé avec les clapets à bille de régulation à deux voies VBN2 et trois voies VBN3 pour réguler l'eau chaude et réfrigérée avec des solutions au glycol jusqu'à 50 % dans les systèmes de chauffage, de ventilation et de climatisation (CVCA) pour fournir des fonctions de modulation ou à deux positions.

## CARACTÉRISTIQUES

- Sans ressort de rappel
- Flottant et modulant
- Encombrement réduit, à encliqueter – aucun outil n'est nécessaire
- Indicateur de position extensible pour mise en service aisée
- Avec ou sans câble
- Compatible avec clapets à bille de régulation de 1/2 à 1-1/4 pouces.
- L'actionneur peut être monté sur le clapet dans n'importe laquelle des quatre positions.

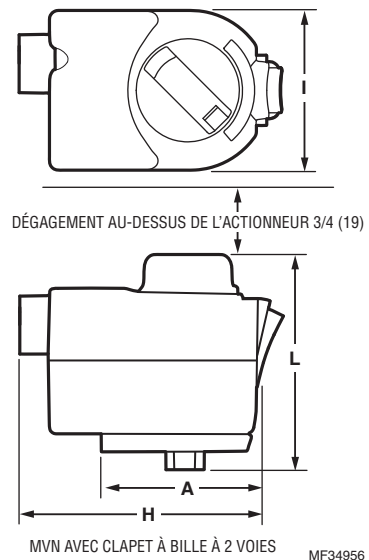


Fig. 1. MVN avec clapet à bille à 2 voies. Voir Tableau 4.

## CARACTÉRISTIQUES

Type d'actionneur : Clapet

Course de rotation :  $90^\circ \pm 3^\circ$ .

Mode de sécurité intégrée : Sans ressort de rappel, position connue en cas de panne

Couple de serrage : 27 lb/po (3 N.m.).

Interrupteurs auxiliaires externes disponibles : Non

Tension d'alimentation : 24 V c.a. +20 %, -15 %, 24 V c.c.

Consommation d'énergie : 5 VA - modulation, 1.5 VA - flottant, 6 VA - SPDT à action rapide

## CLAPETS À BILLE ET ACTIONNEURS DE RÉGULATION FILETÉS VBN

**Protection environnementale :** NEMA2

**Fréquence :** 50 Hz, 60 Hz

**Montage :** À encliqueter – aucun outil n'est nécessaire

**Indice nominal de bruit à 1 m (maximum) :** 35 dB(A) max à 1 m [50 dB (A) pour MVN643].

**Matériaux :** Boîtier en plastique à plénum

**Plage d'humidité en fonctionnement (% HR) :** 5 à 95 % HR, sans condensation

**Plage de température ambiante :** -20 °C à 55 °C (-4 °F à 131 °F)

**Plage de température ambiante :** -40 °C à 80 °C (-40 °F à 176 °F)

**Poids :** Voir Fig. 4-6, Tableau 4 (2 voies) et Tableau 5 (3 voies)

**Dimensions :** Voir Tableau 4 (2 voies) et Tableau 5 (3 voies)

**Minuterie :** 90 sec. pour MVN613 et MVN713; 30 sec. pour MVN643

**Connexions électriques :** Câblage sur site 18 à 20 AWG vers les bornes à vis, situées sous le couvercle d'accès amovible.

**Taux d'humidité :** 5 à 95 % d'HR, sans condensation.

**Longévité (à la tension nominale) :**

60.000 cycles ; 1 cycle = 0°...90°...0°

**Caractéristiques du câble :**

18 AWG, plénum, 300 V, 10 A, longueur de 3 pieds à partir de l'extrémité du couvercle d'accès.

**Indice de protection de l'environnement :** IP40.

**Homologations:**

UL/cUL; UL60730

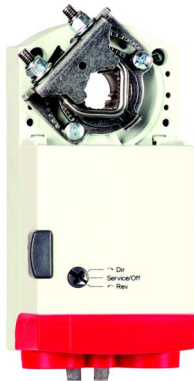
**Tableau 3. Actionneurs et accessoires**

Actionneur	Description	Accessoire
MVN613A0000	Actionneur de clapet à bille de régulation flottant	C1 - câble de 1 m
MVN613L0000	Actionneur de clapet à bille de régulation flottant	
MVN643A0000	Actionneur de clapet à bille de régulation SPDT à action rapide	
MVN643L0000	Actionneur de clapet à bille de régulation SPDT à action rapide	
MVN713A0000	Actionneur de clapet à bille de régulation modulant	
MVN713L0000	Actionneur de clapet à bille de régulation modulant	

Pour commander l'actionneur avec des accessoires, commande la référence d'actionneur + l'accessoire. Par exemple : MVN613A0000 + C1



## Actionneur à accouplement direct sans ressort de rappel



## APPLICATION

Cet actionneur de registre sans ressort de rappel et à accouplement direct assure avec fiabilité la commande modulante et flottante/à deux positions de registres d'air, d'unités de traitement de l'air, de volets d'aération et de régulateurs fiables pour applications de registres d'air jusqu'à 10 pi<sup>2</sup>/44 lb/po (5 N.m.) et 20 pi<sup>2</sup>/88 lb/po (10 N.m. (lames de registre sans joint; selon la friction de l'air).

## CARACTÉRISTIQUES

- Mécanisme de débrayage pour réglage manuel
- Butées mécaniques réglables
- Le couvercle d'accès inclut un bornier à vis (22 à 14 AWG) pour les connexions électriques
- Modèles disponibles avec câble à code couleur 18 AWG de 3 pieds
- Montage dans n'importe qu'elle orientation
- Sélecteur de fonction pour sélection de régulation modulante ou flottante/2 positions

## CARACTÉRISTIQUES

Type d'actionneur : Registre, clapet

Course de rotation : 95° ± 3°

Mode de sécurité intégrée : Sans ressort de rappel, position connue en cas de panne

Couple de serrage : 44 lb/po (5 N.m.)

Interrupteurs auxiliaires externes disponibles : Oui, SSW2-1M

Protection environnementale : NEMA2

Fréquence: 50 Hz; 60 Hz

Fonctionnement manuel : Mécanisme de débrayage

Montage : Accouplement direct

Indice nominal max. de bruit, en marche (dB(A) à 1 m) : 35

Rotation vers ouverture : Par interrupteur

Réglage de course de rotation : Butées réglages intégrées doubles (incréments de 3°)

Arbres de registre compatibles : 1/4 à 1/2 po carrés ou 3/8 à 5/8 po ronds (6 à 13 mm carrés ou 8 à 16 mm ronds)

Type d'adaptateur d'arbre : Collier à vis en U

Tension d'alimentation : 24 V c.a. +20 %, -15 %, 24 V c.c.

Consommation d'énergie :5 VA

Matériaux : Boîtier en plastique à plénum

Indice de protection d'entrée : IP54

Plage d'humidité en fonctionnement (% HR) : 5 à 95 % HR, sans condensation

Plage de température ambiante : -20 °C à 60 °C (-5 °F à +140 °F)

Plage de température ambiante : -30 °C à +80 °C (-22 °F à +176 °F)

Poids : 1 lb (0,45 kg)

Inclut : Support de montage, vis, adaptateur d'arbre, raccords à retenue de câble étanches

Commentaires : Raccord de conduit NPSM 1/2 po intégré

Homologations :

CE : 89/336/CCE, 73/23/CEE

C-Tick: N314

Underwriters Laboratories Inc. : UL873, Plénum, Canadian

Underwriters Laboratories, Inc. : cUL C22.2 No. 24-93

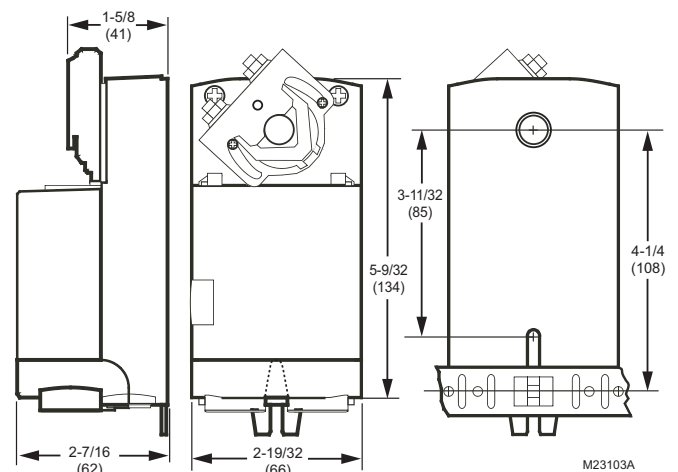


Fig. 2. Schéma des dimensions de l'actionneur à accouplement direct sans ressort de rappel.

## Actionneur à accouplement direct à ressort de rappel



## APPLICATION

Les actionneurs à accouplement direct à ressort de rappel MS4105, MS7405, MS7505 et MS8105 sont utilisés avec les systèmes de chauffage, ventilation et climatisation (CVCA). Ils entraînent toute une gamme d'éléments à quart de tour à commande finale nécessitant une opération à sécurité intégrée à ressort de rappel.

## CARACTÉRISTIQUES

- **Sous-moteur c.c. sans balai avec protection anti-calage électronique pour tous les modèles**
- **Adaptateur d'arbre à auto-centrage (accouplement d'arbre) pour une large gamme de tailles d'arbres**
- **Le couvercle d'accès inclut un bornier à vis (22 à 14 AWG) pour les connexions électriques.**
- **Modèles disponibles avec câble à code couleur 18 AWG de 3 pieds**
- **Boîtier en plastique durable avec butées mécaniques intégrées**
- **Champ directionnel du ressort de rappel sélectionnable**
- **Indicateur et échelle de position d'arbre**
- **Conformité UL (cUL) listé et CE**
- **Tous les modèles sont conformes à UL873, à plénum**

## CARACTÉRISTIQUES

Type d'actionneur : Registre, clapet

**Course de rotation :**  $95^\circ \pm 3^\circ$

**Mode de sécurité intégrée :** Ressort de rappel

**Couple :** 44 lb/po (5 N.m.)

**Couple de ressort de rappel :** 44 lb/po (5 N.m.)

**Direction de ressort de rappel :** Par orientation

**Interrupteurs auxiliaires externes disponibles :** Non

**Protection environnementale :** NEMA2

**Fréquence :** 50 Hz, 60 Hz

**Montage :** Accouplement direct

**Indice nominal max. de bruit, en attente (dB(A) à 1 m) :** 20  
(pas de bruit audible)

**Indice nominal max. de bruit, en marche (dB(A) à 1 m) :** 50

**Rotation vers ouverture :** Par interrupteur

**Tension d'alimentation :** 24 V c.a. +20 %, -15 %, 24 V c.c.

**Consommation d'énergie :** 5 VA

**Réglage de course de rotation :** Incréments de  $5^\circ$  limités mécaniquement

**Arbres de registre compatibles :** 1/4 à 1/2 po carrés ou 3/8 à 5/9 po ronds (6 à 13 mm carrés ou 8 à 16 mm ronds)

**Type d'adaptateur d'arbre :** Serrage à centrage automatique

**Matériaux :** Boîtier en plastique à plénum

**Plage d'humidité en fonctionnement (% HR) :** HR de 5 à 95 %, sans condensation

**Plage de température ambiante :**  $-40^\circ\text{C}$  à  $+65^\circ\text{C}$  ( $-40^\circ\text{F}$  à  $+149^\circ\text{F}$ ) pour actionneurs à deux positions uniquement

**Plage de température de rangement :**  $40^\circ\text{C}$  à  $+65^\circ\text{C}$  ( $-40^\circ\text{F}$  à  $+150^\circ\text{F}$ )

**Poids :** 3,5 lb (1,6 kg)

**Inclut :** Support de montage, adaptateur d'arbre à auto-centrage

### Homologations :

CE : EMC 2004/108/CE ; Certification basse tension Directive 2006/95/CE ; IEC 60730-1 et Partie 2-14  
C-Tick: N314

Underwriters Laboratories Inc. : UL873

Canadian Underwriters Laboratories, Inc. : cUL C22.2 No. 24-93

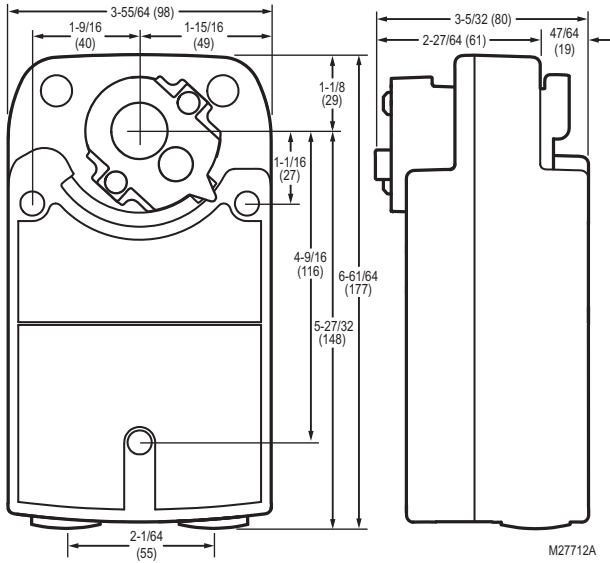


Fig. 3. Schéma des dimensions de l'actionneur à accouplement direct à ressort de rappel.

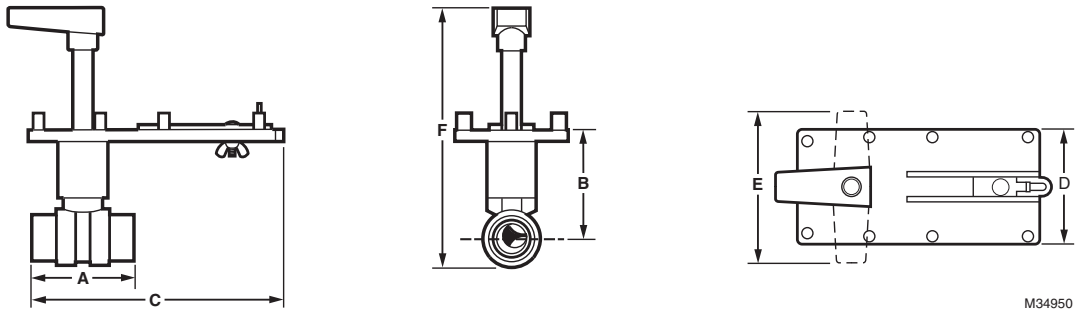


Fig. 4. Dimensions du MVN avec clapet à bille à 2 voies. Voir le Tableau 4.

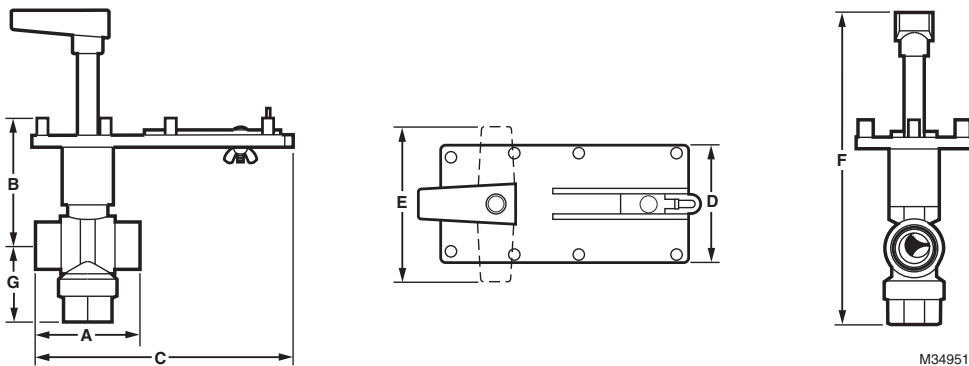


Fig. 5. Dimensions du MVN avec clapet à bille à 3 voies. Voir le Tableau 4.

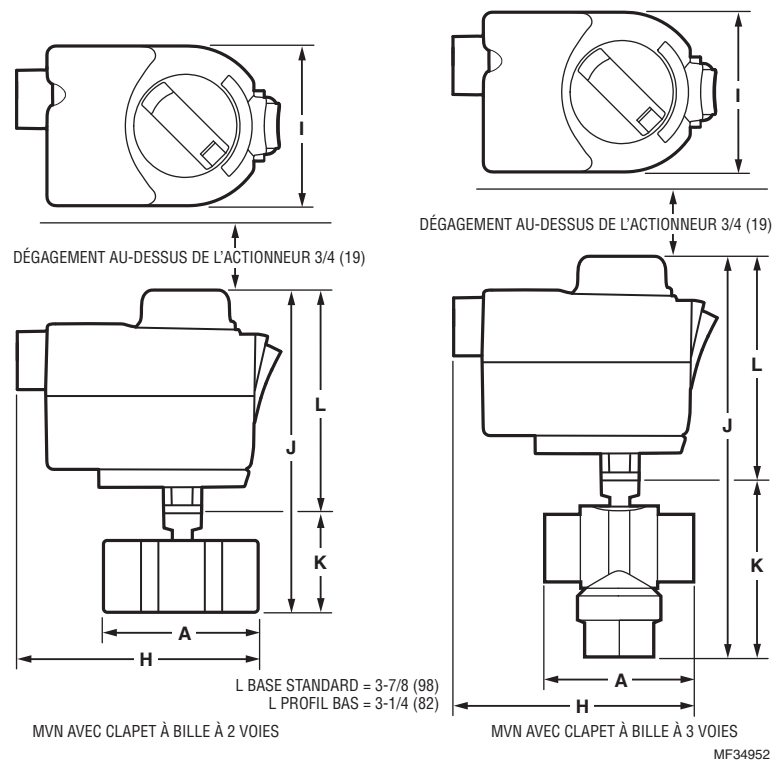


Fig. 6. Dimensions du MVN avec clapet à bille à 2 et 3 voies en pouces (millimètres). Consulter les tableaux 4 et 5.

Tableau 4. Dimensions du VBN2 en pouces (millimètres).

Dimension de la conduite			Désignation C <sub>v</sub>	MVN AVEC CLAPET À BILLE À 2 VOIES Dimensions en po (mm)											Poids (clapet unique-ment) lb	Ensemble tige de remplacement													
Po	(DN)	Code		A	B	C	D	E	F	H	I	J (avec base standard)	J (avec profil bas)	K															
1/2	15	VBN2A	0,38, 0,68, 1,30, 2,00, 2,60, 4,70, 11,70*	2-3/8 (60)	3-7/16 (87)	6-5/8 (168)	3 (76)	4 (102)	8-1/8 (206)	4-9/16 (116)	2-3/16 (71)	5-7/16 (139)	4-13/16 (123)	1-5/8 (41)	1	5112-19 5112-22 (SS)													
			8,00	2-5/8 (67)	3-11/16 (94)	6-1/2 (165)	3 (76)	4 (102)	8-5/16 (211)			5-5/8 (143)	5 (127)	1-13/16 (45)	1														
3/4	20	VBN2B	0,31, 0,63, 1,20, 2,50, 4,30, 7,40, 14,70*	2-3/8 (60)	3-7/16 (87)	6-7/16 (164)	3 (76)	4 (102)	8-1/8 (206)			5-7/16 (139)	4-13/16 (123)	1-5/8 (41)	1		5112-20 5112-23 (SS)												
			10,10, 29,00*	2-5/8 (67)	3-11/16 (94)	6-1/2 (165)	3 (76)	4 (102)	8-5/16 (211)			5-5/8 (143)	5 (127)	1-13/16 (45)	1														
1	25	VBN2C	9,00	3-3/4 (95)	3-11/16 (94)	7-1/16 (179)	3 (76)	4 (102)	8-5/16 (211)			4-9/16 (116)	2-3/16 (71)	5-5/8 (143)	5 (127)		1-13/16 (45)	1	5112-20 5112-23 (SS)										
			4,40, 15,30, 54,00*	3-1/16 (77)	3-15/16 (100)	6-3/4 (171)	3 (76)	4 (102)	8-11/16 (221)					6 (153)	5-3/8 (137)		2-3/16 (55)	1,4											
			26,00, 44,00*	4-5/16 (109)	4-7/16 (113)	7-3/8 (187)	3 (76)	4 (102)	8-7/8 (225)					6-3/16 (158)	5-9/16 (142)		2-3/8 (60)	2,4											
1-1/4	32	VBN2D	4,40, 8,30, 14,90, 25,00, 41,00*	3 (76)	3-15/16 (100)	6-11/16 (170)	3 (76)	4 (102)	8-11/16 (221)					4-9/16 (116)	2-3/16 (71)		6 (152)	5-3/8 (137)		2-1/8 (54)	1,4	5112-20 5112-23 (SS)							
			37,00, 102,00*	3-5/8 (92)	4-7/16 (113)	7 (178)	3 (76)	4 (102)	9-1/16 (231)								6-3/8 (162)	5-3/4 (146)		2-9/16 (64)	2,4								
1-1/2	40	VBN2E	23,00, 30,00, 74,00*	3-7/16 (87)	3-15/16 (100)	6-15/16 (176)	3 (76)	4 (102)	9-1/16 (231)								4-9/16 (116)	2-3/16 (71)						2,4	5112-21 5112-24 (SS)				
			41,00, 172,00*	4-1/16 (103)	5-3/16 (132)	7-1/16 (179)	3 (76)	4 (102)	8-7/8 (225)															3,2					
2	50	VBN2F	42,00, 108,00*	4 (101)	3-3/4 (95)	7-3/16 (183)	3 (76)	4 (102)	8-7/8 (225)											4-9/16 (116)	2-3/16 (71)						3,2	5112-21 5112-24 (SS)	
			57,00, 71,00, 100,00, 210,00, 266,00*	4-15/16 (125)	4-1/16 (103)	7-7/16 (188)	3 (76)	4 (102)	10-1/2 (267)														5						
2-1/2	65	VBN2G	45,00, 55,00, 72,00, 101,00, 162,00, 202,00*	5-5/16 (135)	4-1/16 (103)	7-9/16 (192)	3 (76)	4 (102)	10-1/2 (267)	4-9/16 (116)	2-3/16 (71)															5,5	5112-21 5112-24 (SS)		
3	80	VBN2H	49,00, 63,00, 82,00, 124,00, 145,00*	5 (127)	5-7/8 (149)	7-11/16 (196)	3 (76)	4 (102)	10-11/16 (271)																				5,9

\* Indique un insert à bille à orifice intégral sans caractérisation du débit.

\*\* Des tiges de remplacement sont disponibles en laiton ou en acier inoxydable - à utiliser conformément à la référence du clapet.

**Tableau 5. Dimensions du VBN3 en pouces (millimètres).**

Dimension de la conduite			Désignation C <sub>v</sub>	MVN AVEC CLAPET À BILLE À 3 VOIES										Poids (clapet unique) lb	Ensemble tige de remplacement		
Po	(DN)	Code		Dimensions en po (mm)													
			A	B	C	D	E	F	G	H	I	J (avec base standard)	J (avec profil bas)	K			
1/2	15	VBN3A	0,33, 0,59, 1,00, 2,40, 4,30, 8,00	3-1/2 (89)	3-5/16 (84)	7 (178)	3 (76)	4 (102)	9-3/8 (238)	2-3/8 (60)			6-11/16 (170)	6-1/16 (154)	2-7/8 (72)	2,4	5112-19
3/4	20	VBN3B	0,40, 0,66, 1,30, 2,40, 3,80, 11,00*	2-13/16 (71)	3-5/16 (84)	6-1/2 (165)	3 (76)	4 (102)	8-13/16 (224)	2 (51)			6-1/8 (156)	5-1/2 (140)	2-5/16 (58)	2	
1	25	VBN3C	0,40, 0,65, 1,30, 2,30, 3,50	3-13/16 (97)	3-5/16 (84)	7-5/16 (185)	3 (76)	4 (102)	9-1/2 (241)	2-3/4 (70)	4-9/16 (116)	2-13/16 (71)	6-13/16 (173)	6-3/16 (157)	3 (75)	2,8	5112-20
			8,60, 22,00	3 (76)	3-13/16 (97)	6-13/16 (173)	3 (76)	4 (102)	9-13/16 (249)	2-5/8 (67)			7-1/8 (181)	6-1/2 (165)	3-5/16 (83)	2,6	
			4,50, 14,90, 31,00	4-5/16 (114)	4 (102)	7-13/16 (198)	3 (76)	4 (102)	10-13/16 (275)	3-1/4 (83)			8-1/8 (207)	7-1/2 (191)	4-5/16 (109)	3,3	
1-1/4	32	VBN3D	4,10, 8,70, 19,00*	3 (76)	3-13/16 (97)	6-13/16 (173)	3 (76)	4 (102)	9-13/16 (249)	2-1/2 (64)	4-9/16 (116)	2-13/16 (71)	7-1/8 (181)	6-1/2 (165)	3-5/16 (83)	2,5	5112-20
			12,70, 27,00, 34,00*	3-5/8 (91)	4 (102)	7-5/16 (185)	3 (76)	4 (102)	10-5/16 (262)	2-3/4 (70)			7-5/8 (194)	7 (178)	3-13/16 (96)	2,8	
1-1/2	40	VBN3E	4,00, 8,30, 13,40, 32,00*	4-5/16 (114)	4 (102)	7-13/16 (198)	3 (76)	4 (102)	10-13/16 (275)	3-1/4 (83)	4-9/16 (116)	2-13/16 (71)				3,3	5112-21
			24,00, 61,00	4 (102)	4-1/2 (114)	7-5/16 (185)	3 (76)	4 (102)	11 (279)	3-1/4 (83)						3,3	
2	50	VBN3F	24,00, 38,00, 57,00	4 (102)	4-1/2 (114)	7-5/16 (185)	3 (76)	4 (102)	11 (279)	3-1/4 (83)	4-9/16 (116)	2-13/16 (71)				3,3	5112-21
			83,00, 109,00	5 (127)	5-13/16 (147)	7-13/16 (198)	3 (76)	4 (102)	12-5/16 (313)	3-3/4 (95)						3,8	
2-1/2	65	VBN3G	38,00, 74,00, 100,00	5 (127)	5-13/16 (147)	7-13/16 (198)	3 (76)	4 (102)	12-5/16 (313)	3-3/4 (95)	4-9/16 (116)	2-13/16 (71)				3,8	

\* Indique un insert à bille à orifice A intégral sans caractérisation du débit.

## Marge de réglage théorique

La marge de réglage théorique est une mesure de la contrôlabilité du clapet. Il s'agit d'une propriété mesurée exprimée sous forme de rapport entre le débit maximum du clapet et son débit minimum contrôlable.

**Tableau 6. Coefficient de débit (C<sub>v</sub>) 2 voies disponible et marge de réglage théorique.**

VBN2A	Coefficient de débit	0,38	0,68	1,30	2,00	2,30	4,70	8,00	11,70	
	Marge de réglage théorique	41	17	52	*	321	159	390	251	
VBN2B	Coefficient de débit	0,31	0,63	1,20	2,50	4,30	7,40	10,10	14,70	29,00
	Marge de réglage théorique	41	17	52	321	159	*	390	251	1503
VBN2C	Coefficient de débit	4,40	9,00	15,30	26,00	44,00	54,00			
	Marge de réglage théorique	159	390	1040	484	1263	1207			
VBN2D	Coefficient de débit	4,40	8,30	14,90	25,00	37,00	41,00	102,00		
	Marge de réglage théorique	159	390	1040	*	484	1207	1263		
VBN2E	Coefficient de débit	23,00	30,00	41,00	74,00	172,00				
	Marge de réglage théorique	484	*	603	1263	558				

**Tableau 6. Coefficient de débit (C<sub>v</sub>) 2 voies disponible et marge de réglage théorique.**

VBN2F	Coefficient de débit	42,00	57,00	71,00	100,00	108,00	210,00	266,00		
	Marge de réglage théorique	603	*	287	*	558	750	877		
VBN2G	Coefficient de débit	45,00	55,00	72,00	101,00	162,00	202,00			
	Marge de réglage théorique	250	*	287	558	750	877			
VBN2H	Coefficient de débit	49,00	63,00	82,00	124,00	145,00				
	Marge de réglage théorique	250	287	558	750	877				

**Coefficient de débit (C<sub>v</sub>) réel**

Pour les coefficients de débit réels pour les clapets de régulation à bille utilisés avec des réducteurs de tuyaux, se référer à la fiche Données du produit n° 62-2648.

**Notes d'application****IMPORTANT**

*Le dimensionnement des clapets est important pour que le système fonctionne correctement. Les clapets sous-dimensionnés n'ont pas une capacité suffisante pour la charge maximale. Les clapets surdimensionnés n'ont pas une autorité suffisante sur la charge dans les applications à modulation.*

*Les clapets surdimensionnés peuvent causer un actionnement excessif et le siège et la bille peuvent être endommagés à cause de la restriction de l'ouverture.*

**Utilisation correcte**

Ces clapets sont réservés à une utilisation dans les systèmes à eau froide, tiède et chaude. Ils ne sont pas destinés à l'huile, aux gaz combustibles ou à la vapeur. Ils sont conçus pour une plage de température moyenne de 35 à 250°F, à une pression maximale de 360 psig. Les clapets VBN ne doivent être utilisés qu'avec les actionneurs à accouplement direct appropriés d'Honeywell.

L'eau doit être correctement filtrée, traitée et conditionnée conformément aux conditions locales et aux recommandations des fabricants de chaudières ou de refroidisseurs. L'installation de crépines et de filtres est préconisée.

**IMPORTANT**

*La présence d'oxyde de fer (rouille rouge) en excès dans le système annule la garantie du clapet.*

**Couple de service requis**

Tant les actionneurs MVN sans ressort de rappel que les actionneurs à accouplement direct à faible couple et ressort de rappel d'Honeywell peuvent être utilisés avec les clapets VBN2 et VBN3. Les clapets VB utilisent un siège breveté réduisant le couple nécessaire pour l'actionneur.

**Tableau 7. Valeurs nominales de pression différentielle pour la fermeture.**

Type de clapet	Taille du clapet (po)	Pression de fermeture nominale (psid)
2 voies	1/2, 3/4	130
	1, 1-1/4, 1-1/2, 2, 2-1/2, 3	100
3 voies	1/2, 3/4, 1	50
	1-1/4, 1-1/2, 2, 2-1/2	40

REMARQUE : Les pressions de fermeture nominales 3 voies s'appliquent aux clapets à 3 voies lorsque l'orifice B est bouché

**SPÉCIFICATIONS TYPIQUES**

L'actionneur à accouplement direct acceptera un signal analogique de modulation [(0)2-10 V c.c.], de flottement (trois états) ou de deux positions, comme indiqué dans la séquence de contrôle. Les actionneurs seront fournis par Honeywell. L'actionneur fournira le couple minimum requis pour une fermeture totale du clapet. Des bornes de câblage seront fournies pour l'installation du câblage du signal de contrôle et d'alimentation.

L'actionneur sera fourni avec un boîtier convenant à une installation extérieure.

Des étiquettes d'identification des accessoires seront disponibles pour tous les clapets ; elles doivent être annotées avec un marqueur indélébile et indiquer le coefficient de débit, le numéro de modèle et l'emplacement de l'étiquette.

**Clapet à bille**

Le boîtier du clapet sera en laiton forgé d'une valeur nominale minimum de 360 psi à 250°F. La bille de clapet standard se composera de laiton plaqué chimiquement au nickel. Le fabricant devra fournir une bille et une tige en acier 316 optionnelle pour les clapets à 2 voies. Les clapets seront munis d'une tige inéjectable dotée de deux joints toriques EPDM d'une valeur nominale minimum de 600 psi. Le fabricant devra fournir un insert de bille en polymère renforcé à la fibre de verre pour fournir un égal pourcentage de commande de débit. Les clapets seront fournis par Honeywell. Les clapets à 2 voies seront pourvus de joints toriques EPDM derrière les joints à bille afin d'autoriser une pression de fermeture minimum de 100 psi avec un actionneur, ce qui fournit un couple de 35 lb/po pour les tailles de 1/2 à 3 po. Les clapets seront disponibles avec un minimum de valeurs de coefficient de débit unique de 53. Le

## CLAPETS À BILLE ET ACTIONNEURS DE RÉGULATION FILETÉS VBN

clapet sera pourvu de raccords filetés (FNPT). Les clapets à 3 voies seront installés dans une configuration en « T », avec l'actionneur perpendiculaire à l'arbre. Les clapets ne nécessiteront aucun coude. Les clapets à 3 voies seront pourvus de joints toriques EPDM derrière les joints à bille afin d'autoriser une pression de fermeture minimum de 40 psi

avec un actionneur, ce qui fournit un couple de 35 lb-po pour les tailles de 1/2 à 2-1/2 po. Les clapets à 3 voies doivent être disponibles en configuration mélange et dérivation et devront être disponibles avec un minimum de valeurs de coefficient de débit unique de 42. Le clapet sera pourvu de raccords filetés (FNPT).

**Tableau 8. Accessoires d'actionneur et pièces de remplacement.**

Référence de pièce	Description	MVN613A0000	MVN613L0000	MVN643A0000	MVN643L0000	MVN713A0000	MVN713L0000	MN6105A1011	MN7505A2001	MS7505A2030	MS8105A1030
5112-3R	Ensemble boîtier d'étanchéité							x	x	x	x
MVNAAA	Adaptateur de clapet de remplacement	x		x		x					
MVNAAL	Adaptateur de clapet de remplacement, profil bas		x		x		x				
MVNAC7131	Câble de remplacement avec borne de 1 m, modulation (ROUGE, NOIR, BLANC)					x	x				
MVNAC6131	Câble de remplacement avec borne de 1 m, flottant (ROUGE, NOIR, BLANC)	x	x	x	x						
MVNAT3	Bornier de type à vis de remplacement, enfichable	x	x	x	x	x	x				
5112-11	Support d'actionneur de remplacement							x	x	x	x
205860	Potentiomètre de position minimale							x	x	x	x
32006306-001	Nécessaire de résistances (500 ohms) ; convertit le signal 4-20 mA en 2-10 V c.c.									x	x
Q7002B1009	Module d'interface unique							x	x	x	x
STRN-SCSA	Adaptateur d'arbre à centrage automatique									x	x
32000085-001	Raccord de retenue (ensemble de 10)							x	x	x	x
AT120A1004	Transformateur 120 à 24 V c.a. (20 VA)	x	x	x	x	x	x	x	x	x	x
AT140A1000	Transformateur 120 à 24 V c.a. (40 VA)	x	x	x	x	x	x	x	x	x	x
STRN-STRNRLF	Raccord de retenue (ensemble de 10)									x	x

### Solutions de régulation et d'automatisation

Honeywell International Inc.  
1985 Douglas Drive North  
Golden Valley, MN 55422  
customer.honeywell.com

© Marque de commerce déposée aux États-Unis  
© 2013 Honeywell International Inc.  
Tous droits réservés  
63-4378EFS—04 M.S. Rev. 10-13  
Imprimé aux États-Unis

**Honeywell**



# Válvulas de bola de control roscadas y actuadores VBN

## DATOS DE LAS ESPECIFICACIONES

### APLICACIÓN

Las válvulas de bola de control VBN2 de 2 vías y VBN3 de 3 vías controlan el agua caliente y fría con soluciones de glicol de hasta 50% en sistemas de calefacción, ventilación y aire acondicionado (HVAC) para proporcionar funciones de modulación o de dos posiciones. Estas válvulas de bola de control se pueden pedir por separado, o bien con actuadores que tengan o no tengan resorte de retorno.

### VBN2, VBN3



### CARACTERÍSTICAS

- Disponible en tamaños desde 1/2 hasta 3 in con conexiones NPT (hembra) internas.
  - Presenta la característica de flujo de igual porcentaje.
  - Cuenta con un valor CV de paso B reducido para mantener un flujo constante en el circuito cerrado.
  - Brinda la opción de accionamiento instalado de fábrica: flotante, de modulación (2 a 10 V), con resorte de retorno o sin resorte de retorno de 2 posiciones, flotante/de modulación con resorte de retorno.
  - Permite la configuración en campo para utilizar la posición a prueba de fallas normalmente abierta o normalmente cerrada.
  - Dispone de una manija de funcionamiento manual desmontable para controlar la válvula durante la instalación o en caso de que se produzca una falla eléctrica.
- El actuador puede montarse en la válvula en cualquiera de las cuatro orientaciones.
  - Permite el mantenimiento del ensamble de vástago en el campo.
  - Proporciona una gran variedad de opciones de valor  $C_v$ , de 0.33 a 266.
  - La bola y el vástago están fabricados de latón enchapado en níquel-cromo o acero inoxidable tipo 316.
  - La válvula se instala en una válvula de globo con diseño en "T", sin tener que usar codos ni tuberías adicionales.
  - Cuenta con control de mezcla o derivación para las válvulas de 3 vías.
  - Cuenta con especificación para fuga en asiento clase IV de ANSI (0.01% del valor CV) para paso A en válvulas de 3 vías y especificación para fuga en asiento clase III de ANSI (0.1% del valor CV) para el paso B en válvulas de 3 vías.

### ESPECIFICACIONES

**Tipo de válvula:** Válvula de bola de control

**Diseño del cuerpo:** De 2 vías; de 3 vías

**Tipo de conexión:** NPT hembra

**Fluido controlado:** Agua caliente o fría con soluciones de glicol de hasta 50%. No indicado para usar con vapor o combustibles.

**Clasificación de fuga:** Clase IV de ANSI (0.01% del máximo del valor CV) para paso A en válvulas de 3 vías y especificación para fuga en asiento clase III de ANSI (0.1% del valor CV) para el paso B en válvulas de 3 vías.

**Clasificación máxima de funcionamiento a prueba de fallas:** 360 psi (2482 kPa)

**Rango de temperatura del fluido:** De -22 °F a +250 °F (de -30 °C a +121 °F)

**Materiales:**

Cuerpo: Latón

Vástago: Latón

Bola: Latón enchapado en cromo o acero inoxidable

Asiento: Sellos de Teflon® con juntas tóricas EPDM.

VÁLVULAS DE BOLA DE CONTROL ROSCADAS Y ACTUADORES VBN

Inserto de control de flujo: Noryl®

**Estilo de cuerpo:**

Válvula de bola de 2 vías, flujo directo, paso total o reducido con inserto de control de flujo patentado.  
 Válvula de bola de 3 vías, flujo A-B-AB, paso total o reducido con inserto de control de flujo patentado.  
 Conexiones NPT internas.

**Rango de presión del cuerpo (máximo):**

360 psi (2482 kPa) a 250 °F (121 °C).

**Rango medio de temperatura:**

De -22 °F a +250 °F (de -30 °C a +121 °C).

**Características de flujo:**

De 2 vías: Igual porcentaje con inserto de control de flujo.  
 De 3 vías: Paso A a AB: igual porcentaje.  
 Paso B a AB: Lineal.

**Estándares/aprobación:**

Válvulas: Especificación de cierre-apagado/fuga clase IV de ANSI (0.01% del máximo del valor CV permitido)  
 Actuadores: Consulte la documentación correspondiente al actuador determinado.

Tabla 1. Tabla de selección del modelo de VBN.

Selección del modelo: Válvula de bola							Perfil	Actuador	Posición a prueba de fallas	Accesorios
Válvula	Conexión	Cuerpo/ tipo de flujo	Tamaño	Valor Cv	Parte interna					
VB: Válvula de bola								MVN613A0000	Falla en la posición	C1: Cable de 1 metro
N: NPT hembra roscada							MVN613L0000			
2: De 2 vías							MVN643A0000			
3: De 3 vías							MVN643L0000			
A: 1/2 (DN15)							MVN713A0000			
B: 3/4 (DN20)							MVN713L0000			
C: 1 (DN25)							MN6105A1011			
D: 1-1/4 (DN32)							MN7505A2001			
E: 1-1/2 (DN40)							MS7505A2030			
F: 2 (DN50)							MS8105A1030			
G: 2-1/2 (DN65)										
H: 3 (DN80)										
xxx.xx: Designación del valor Cv									FSO: Función a prueba de fallas abierta FSC: Función a prueba de fallas cerrada FSA: Función a prueba de fallas A-AB abierta FSB: Función a prueba de fallas B-AB abierta	3R
Consulte la Tabla 5										
P: Latón enchapado										
S: Acero inoxidable										
A*: Base estándar										
L**: Perfil bajo										
VB	N	2	A	004.70	P	A	+	MVN613A0000	+	C1

**Ejemplo de número de pieza: VBN2A004.70PA+MVN613A0000+C1**

\*La base estándar brinda espacio entre la válvula y el actuador para el aislamiento.

\*\*El perfil bajo permite instalar la válvula y el actuador en espacios estrechos.

Tabla 2. Descripción del control del actuador.

Actuador	Control
MVN613A0000	Flotante (duración de 90 s)
MVN613L0000	
MVN643A0000	SPDT de acción rápida (duración de 30 s)
MVN643L0000	
MVN713A0000	Modulación
MVN713L0000	
MN6105A1011	Encendido/apagado, Flotante
MN7505A2001	Flotante, de modulación, encendido/apagado (unipolar, de doble tiro [Single Pole, Double Throw; SPST])
MS7505A2030	
MS8105A1030	Dos posiciones (unipolar, de un solo tiro [Single Pole, Single Throw; SPST])

## Actuador MVN



## APLICACIÓN

El actuador de las válvulas de control MVN de 3 Nm (27 lb-in) se utiliza con las válvulas de bola de control VBN2 de 2 vías y VBN3 de 3 vías para controlar el agua caliente y fría con soluciones de glicol de hasta 50% en sistemas de calefacción, ventilación y aire acondicionado (HVAC) para proporcionar funciones de modulación o de dos posiciones.

## CARACTERÍSTICAS

- No cuenta con resorte de retorno.
- Disponible con control flotante y de modulación.
- Cuenta con un diseño que permite el ahorro de espacio y la instalación a presión: no se necesitan herramientas.
- Posee indicador de posición extensible para facilitar la puesta en funcionamiento.
- Se encuentra disponible con o sin cable.
- Es compatible con válvulas de bola de control de 1/2 in a 1-1/4 in.
- El actuador se monta sobre la válvula en cualquiera de las cuatro posiciones.

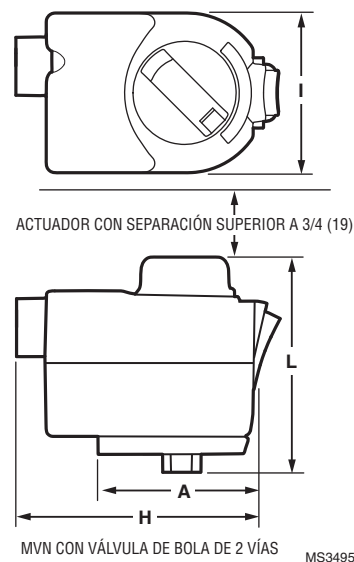


Fig. 1. MVN con válvula de bola de 2 vías. Consulte la Tabla 4.

## ESPECIFICACIONES

Tipo de actuador: Válvula

Carrera de rotación: 90° ±3°.

Modo a prueba de fallas: Sin resorte de retorno, falla en la posición

Fuerza de torsión: 27 lb-in (3 Nm).

Interruptores auxiliares externos disponibles: No

Voltaje de suministro: 24 V CA +20%, -15%, 24 V CC

Consumo de energía: 5 VA - modulación, 1.5 VA - flotante, 6 VA - SPDT de acción rápida

## VÁLVULAS DE BOLA DE CONTROL ROSCADAS Y ACTUADORES VBN

**Frecuencia:** 50 Hz; 60 Hz

**Montaje:** Instalación a presión: no se necesitan herramientas

**Clasificación de ruido a 1 m (máximo):** 35 dB(A) máx. a 1 m (50 dB [A] para MVN643).

**Materiales:** Carcasa de plástico con clasificación plenum

**Rango de humedad de funcionamiento (% HR):** Del 5% al 95% de humedad relativa (HR), sin condensación

**Rango de temperatura ambiente:** De -4 °F a 131 °F (de -20 °C a 55 °C)

**Rango de temperatura de almacenamiento:** De -40 °F a 176 °F (de -40 °C a 80 °C)

**Peso:** Consulte la Tabla 4 (2 vías) y la Tabla 5 (3 vías)

**Dimensiones:** Consulte la Fig. 4 a 6, la Tabla 4 (2 vías) y la Tabla 5 (3 vías).

**Duración:** 90 s en el caso de MVN613 y MVN713; 30 s en el caso de MVN643

**Conexiones eléctricas:** Cableado en campo de 18 a 20 AWG hasta los terminales de tornillo, ubicados debajo de la cubierta de acceso desmontable.

**Rangos de humedad:** Del 5% al 95% de humedad relativa (HR), sin condensación.

**Duración prevista (según el voltaje clasificado):**

60,000 ciclos; 1 ciclo: 0°...90°...0°

**Especificación del cable:**

18 AWG, con clasificación plenum, 300 V, 10 A, 3 pies de largo desde el extremo de la cubierta de acceso.

**Calificación de protección ambiental:** IP40.

**Aprobaciones:**

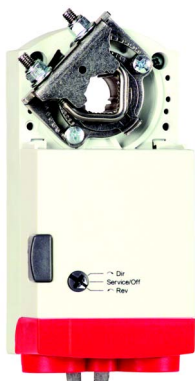
Certificación UL/cUL; UL60730

**Tabla 3. Actuadores y accesorios**

Actuador	Descripción	Accesorio
MVN613A0000	Actuador de válvula de bola con control flotante	C1: cable de 1 metro
MVN613L0000	Actuador de válvula de bola con control flotante	
MVN643A0000	Actuador de válvula de bola con control SPDT de acción rápida	
MVN643L0000	Actuador de válvula de bola con control SPDT de acción rápida	
MVN713A0000	Actuador de válvula de bola con control de modulación	
MVN713L0000	Actuador de válvula de bola con control de modulación	

Para pedir el actuador con accesorios, solicite el número de pieza del actuador + accesorio. Por ejemplo: MVN613A0000 + C1

## Actuador de acoplamiento directo sin resorte de retorno



## APLICACIÓN

Este actuador regulador de acoplamiento directo sin resorte de retorno proporciona control de modulación y control flotante/de 2 posiciones para los siguientes elementos: reguladores de aire, controladores de aire, aletas y rejillas de ventilación y control fiable para aplicaciones en reguladores de aire de hasta 10 pies cuadrados/44 lb-in (5 Nm) y 20 pies cuadrados/88 lb-in (10 Nm) (paletas reguladoras sin sello; según la fricción del aire).

## CARACTERÍSTICAS:

- Cuenta con mecanismo de desembrague para ajustar de forma manual.
- Posee final de carrera mecánico ajustable.
- La cubierta de acceso incluye una regleta de terminal de tornillo (de 22 a 14 AWG) para realizar conexiones eléctricas.
- Los modelos se encuentran disponibles con cables codificados por color de 3 pies y 18 AWG.
- Puede montarse en cualquier orientación.
- Posee un interruptor de selección de función para seleccionar el control de modulación o flotante/de 2 posiciones.

## ESPECIFICACIONES

**Tipo de actuador:** Regulador; válvula

**Carrera de rotación:** 95° ±3 grados

**Modo a prueba de fallas:** Sin resorte de retorno, falla en la posición

**Fuerza de torsión:** 44 lb-in (5 Nm)

**Interruptores auxiliares externos disponibles:** Sí, SSW2-1M

**Clasificación ambiental:** NEMA2

**Frecuencia:** 50 Hz; 60 Hz

**Operación manual:** Mecanismo de desembrague

**Montaje:** Acoplamiento directo

**Clasificación máxima de ruido, en funcionamiento (dB A a 1 m):** 35

**Rotación para abrir:** Con interruptor

**Ajuste de carrera de rotación:** Detención ajustable integral doble (incrementos de 3 grados)

**Ejes reguladores compatibles:** De 1/4 a 1/2 in cuadrados o de 3/8 a 5/8 in redondos (de 6 a 13 mm cuadrados o de 8 a 16 mm redondos)

**Tipo de adaptador de eje:** Abrazadera con perno en U

**Voltaje de suministro:** 24 V CA +20%, -15%, 24 V CC

**Consumo de energía:** 5 VA

**Materiales:** Carcasa de plástico con clasificación plenum

**Parámetros de protección de entrada:** IP54

**Rango de humedad de funcionamiento (% HR):** Del 5% al 95% de humedad relativa (HR), sin condensación

**Rango de temperatura ambiente:** De -5 °F a +140 °F (de -20 °C a +60 °C)

**Rango de temperatura de almacenamiento:** De -22 °F a +176°F (de -30 °C a +80°C)

**Peso:** 1 lb (0.45 kg)

**Incluye:** Soporte de montaje, tornillos, adaptador de eje, conexiones de cable con sellado hermético para alivio de presión

**Comentarios:** Conexión integral NPSM de 1/2 in para conductos.

### Aprobaciones:

CE: 89/336/ECC, 73/23/EEC

C-Tick: N314

Underwriters Laboratories, Inc.: UL873, con clasificación plenum.

Canadian Underwriters Laboratories, Inc.: cUL C22.2 N.º 24-93

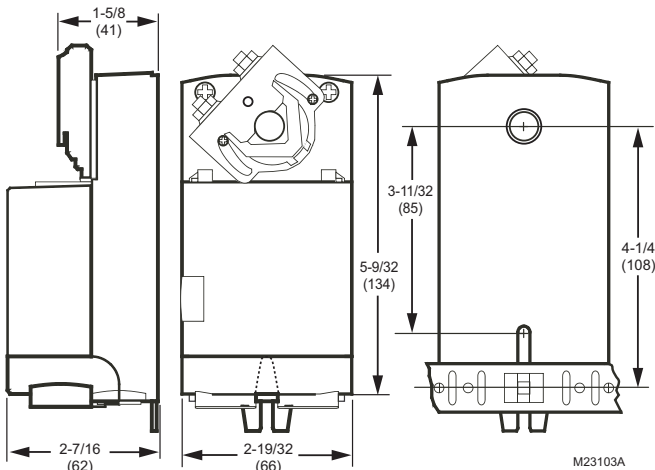


Fig. 2. Diagrama de dimensiones del actuador de acoplamiento directo sin resorte de retorno.

## Actuador de acoplamiento directo con resorte de retorno



## APLICACIÓN

Se utilizan los actuadores de acoplamiento directo (Direct Coupled Actuators, DCA) con resorte de retorno MS4105, MS7405, MS7505 y MS8105 dentro de los sistemas de calefacción, ventilación y aire acondicionado (HVAC). Pueden hacer funcionar varios elementos de control final con giro de 90° que requieren funcionamiento a prueba de fallas y resorte de retorno.

## CARACTERÍSTICAS

- Todos los modelos poseen un submotor CC sin escobillas que incluye protección electrónica contra calado.
- Incluye adaptador de eje autocentrado (acoplamiento de eje) para una amplia variedad de tamaños de ejes.
- La cubierta de acceso incluye una regleta de terminal de tornillo (de 22 a 14 AWG) para realizar conexiones eléctricas.

- Los modelos se encuentran disponibles con cables codificados por color de 3 pies y 18 AWG.
- Posee carcasa de plástico duradero con final de carreras mecánico incorporado.
- Se puede seleccionar la dirección del resorte de retorno en campo.
- Cuenta con indicador y escala de posición de eje.
- Posee certificación UL (cUL) y cumple con la normativa CE.
- Todos los modelos cuentan con clasificación plenum según la norma UL873.

## ESPECIFICACIONES

Tipo de actuador: Regulador; válvula

Carrera de rotación: 95 ±3 grados

Modo a prueba de fallas: Con resorte de retorno

Fuerza de torsión: 44 lb-in (5 Nm)

Fuerza de torsión del resorte de retorno: 44 lb-in (5 Nm)

Dirección del resorte de retorno: Según la orientación

Interruptores auxiliares externos disponibles: No

Clasificación ambiental: NEMA2

Frecuencia: 50 Hz; 60 Hz

Montaje: Acoplamiento directo

Clasificación máxima de ruido, en espera (dBA a 1 m): 20 (no produce ruido detectable)

Clasificación máxima de ruido, en funcionamiento (dBA a 1 m): 50

Rotación para abrir: Con interruptor

Voltaje de suministro: 24 V CA +20%, -15%, 24 V CC

Consumo de energía: 5 VA

Ajuste de carrera de rotación: Incrementos de 5 grados limitados mecánicamente

Ejes reguladores compatibles: De 1/4 a 1/2 in cuadrados o de 3/8 a 5/8 in redondos (de 6 a 13 mm cuadrados o de 9 a 16 mm redondos)

Tipo de adaptador de eje: Abrazadera autocentrada

Materiales: Carcasa de plástico con clasificación plenum

Rango de humedad de funcionamiento (% HR): Del 5% al 95% de humedad relativa (HR), sin condensación

Rango de temperatura ambiente: De -40 °F a +149 °F (de -40 °C a +65 °C) solo para actuadores de dos posiciones

Rango de temperatura de almacenamiento: De -40 °F a +150 °F (de -40 °C a +65 °C)

**Peso:** 3.5 lb (1.6 kg)

**Incluye:** Soporte de montaje, adaptador de eje autocentrado

**Aprobaciones:**

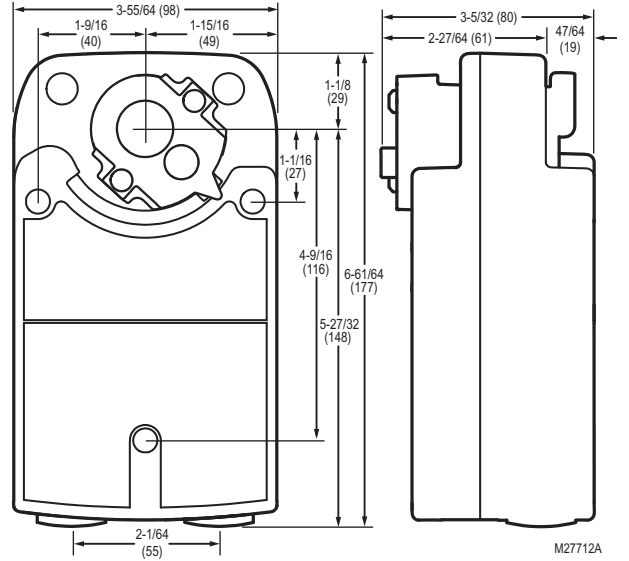
CE: EMC 2004/108/EC; Certificación conforme a la Directiva sobre bajo voltaje 2006/95/EC; IEC 60730-1 y Parte 2-14

C-Tick: N314

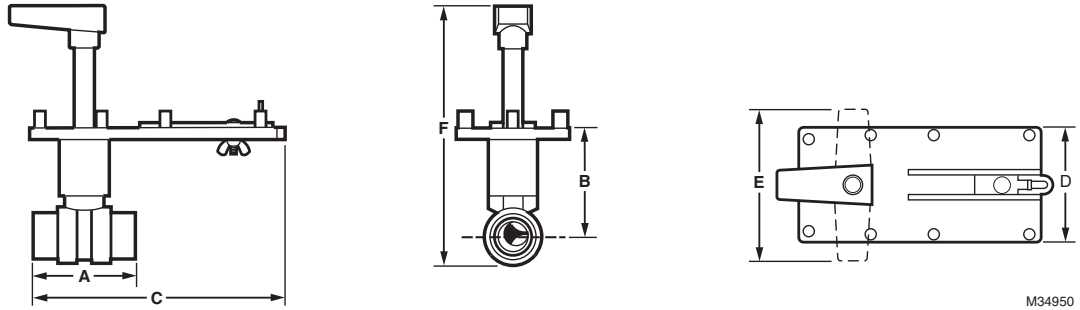
Underwriters Laboratories, Inc.: UL873

Canadian Underwriters Laboratories, Inc.:

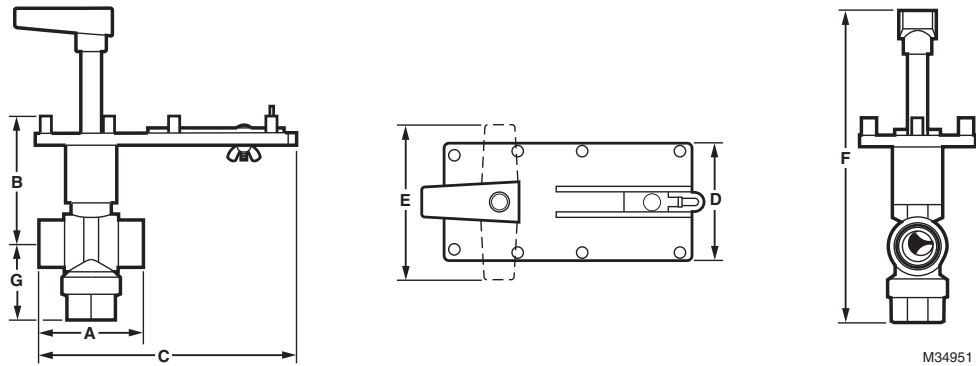
cUL C22.2 N.º 24-93



**Fig. 3. Diagrama de dimensiones del actuador de acoplamiento directo con resorte de retorno.**



**Fig. 4. Dimensiones de MVN con válvula de bola de 2 vías. Consulte la Tabla 4.**



**Fig. 5. Dimensiones de MVN con válvula de bola de 3 vías. Consulte la Tabla 4.**

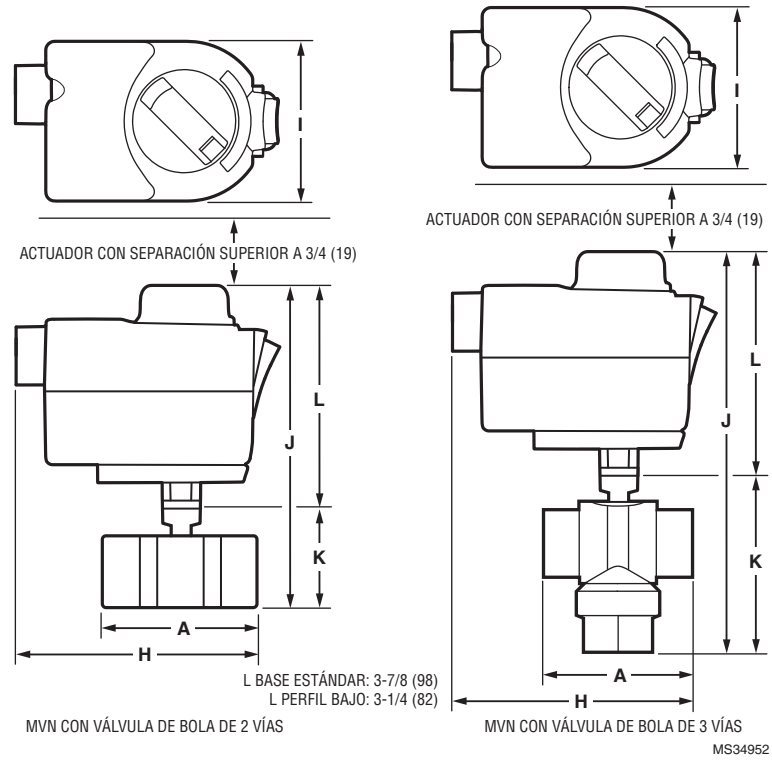


Fig. 6. MVN con dimensiones de válvula de bola de 2 y 3 vías en pulgadas (milímetros). Consulte las Tablas 4 y 5.



Tabla 4. Dimensiones de VBN2 en pulgadas (milímetros).

Tamaño de la tubería			Indicadores de valor C <sub>v</sub>	MVN CON VÁLVULA DE BOLA DE 2 VÍAS Dimensiones en pulgadas (mm)										Peso (válvulas solamente) en libras	Ensamble de vástago de repuesto		
in	(DN)	Código		A	B	C	D	E	F	H	I	J (peso/ estándar)	J (peso/bajo)			K	
1/2	15	VBN2A	0.38, 0.68, 1.30, 2.00, 2.60, 4.70, 11.70*	2-3/8 (60)	3-7/16 (87)	6-5/8 (168)	3 (76)	4 (102)	8-1/8 (206)	4-9/16 (116)	2-3/16 (71)	5-7/16 (139)	4-13/16 (123)	1-5/8 (41)	1	5112-19 5112-22 (SS)	
			8.00	2-5/8 (67)	3-11/16 (94)	6-1/2 (165)	3 (76)	4 (102)	8-5/16 (211)			5-5/8 (143)	5 (127)	1-13/16 (45)	1		
3/4	20	VBN2B	0.31, 0.63, 1.20, 2.50, 4.30, 7.40, 14.70*	2-3/8 (60)	3-7/16 (87)	6-7/16 (164)	3 (76)	4 (102)	8-1/8 (206)			5-7/16 (139)	4-13/16 (123)	1-5/8 (41)	1		5112-20 5112-23 (SS)
			10.10, 29.00*	2-5/8 (67)	3-11/16 (94)	6-1/2 (165)	3 (76)	4 (102)	8-5/16 (211)			5-5/8 (143)	5 (127)	1-13/16 (45)	1		
1	25	VBN2C	9.00	3-3/4 (95)	3-11/16 (94)	7-1/16 (179)	3 (76)	4 (102)	8-5/16 (211)			5-5/8 (143)	5 (127)	1-13/16 (45)	1		5112-20 5112-23 (SS)
			4.40, 15.30, 54.00*	3-1/16 (77)	3-15/16 (100)	6-3/4 (171)	3 (76)	4 (102)	8-11/16 (221)			6 (153)	5-3/8 (137)	2-3/16 (55)	1.4		
			26.00, 44.00*	4-5/16 (109)	4-7/16 (113)	7-3/8 (187)	3 (76)	4 (102)	8-7/8 (225)			6-3/16 (158)	5-9/16 (142)	2-3/8 (60)	2.4		
1-1/4	32	VBN2D	4.40, 8.30, 14.90, 25.00, 41.00*	3 (76)	3-15/16 (100)	6-11/16 (170)	3 (76)	4 (102)	8-11/16 (221)			6 (152)	5-3/8 (137)	2-1/8 (54)	1.4		5112-20 5112-23 (SS)
			37.00, 102.00*	3-5/8 (92)	4-7/16 (113)	7 (178)	3 (76)	4 (102)	9-1/16 (231)			6-3/8 (162)	5-3/4 (146)	2-9/16 (64)	2.4		
1-1/2	40	VBN2E	23.00, 30.00, 74.00*	3-7/16 (87)	3-15/16 (100)	6-15/16 (176)	3 (76)	4 (102)	9-1/16 (231)						2.4		5112-21 5112-24 (SS)
			41.00, 172.00*	4-1/16 (103)	5-3/16 (132)	7-1/16 (179)	3 (76)	4 (102)	8-7/8 (225)				3.2				
2	50	VBN2F	42.00, 108.00*	4 (101)	3-3/4 (95)	7-3/16 (183)	3 (76)	4 (102)	8-7/8 (225)				3.2	5112-21 5112-24 (SS)			
			57.00, 71.00, 100.00, 210.00, 266.00*	4-15/16 (125)	4-1/16 (103)	7-7/16 (188)	3 (76)	4 (102)	10-1/2 (267)				5				
2-1/2	65	VBN2G	45.00, 55.00, 72.00, 101.00, 162.00, 202.00*	5-5/16 (135)	4-1/16 (103)	7-9/16 (192)	3 (76)	4 (102)	10-1/2 (267)				5.5				
3	80	VBN2H	49.00, 63.00, 82.00, 124.00, 145.00*	5 (127)	5-7/8 (149)	7-11/16 (196)	3 (76)	4 (102)	10-11/16 (271)				5.9				

\* Indica válvula de paso total: sin inserto de caracterización de flujo.

\*\* Se encuentran disponibles vástagos de repuesto de latón o acero inoxidable. Se debe utilizar según el número de pieza de la válvula.

**Tabla 5. Dimensiones de VBN3 en pulgadas (milímetros).**

Tamaño de la tubería			Indicadores de valor C <sub>v</sub>	MVN CON VÁLVULA DE BOLA DE 3 VÍAS											Peso (válvulas solamente) en libras	Ensamble de vástago de repuesto	
in	(DN)	Código		Dimensiones en pulgadas (mm)													
			A	B	C	D	E	F	G	H	I	J (peso/estándar)	J (peso/bajo)	K			
1/2	15	VBN3A	0.33, 0.59, 1.00, 2.40, 4.30, 8.00	3-1/2 (89)	3-5/16 (84)	7 (178)	3 (76)	4 (102)	9-3/8 (238)	2-3/8 (60)			6-11/16 (170)	6-1/16 (154)	2-7/8 (72)	2.4	5112-19
3/4	20	VBN3B	0.40, 0.66, 1.30, 2.40, 3.80, 11.00*	2-13/16 (71)	3-5/16 (84)	6-1/2 (165)	3 (76)	4 (102)	8-13/16 (224)	2 (51)			6-1/8 (156)	5-1/2 (140)	2-5/16 (58)	2	
1	25	VBN3C	0.40, 0.65, 1.30, 2.30, 3.50	3-13/16 (97)	3-5/16 (84)	7-5/16 (185)	3 (76)	4 (102)	9-1/2 (241)	2-3/4 (70)			6-13/16 (173)	6-3/16 (157)	3 (75)	2.8	5112-20
			8.60, 22.00	3 (76)	3-13/16 (97)	6-13/16 (173)	3 (76)	4 (102)	9-13/16 (249)	2-5/8 (67)	4-9/16 (116)	2-13/16 (71)	7-1/8 (181)	6-1/2 (165)	3-5/16 (83)	2.6	
			4.50, 14.90, 31.00	4-5/16 (114)	4 (102)	7-13/16 (198)	3 (76)	4 (102)	10-13/16 (275)	3-1/4 (83)			8-1/8 (207)	7-1/2 (191)	4-5/16 (109)	3.3	
1-1/4	32	VBN3D	4.10, 8.70, 19.00*	3 (76)	3-13/16 (97)	6-13/16 (173)	3 (76)	4 (102)	9-13/16 (249)	2-1/2 (64)			7-1/8 (181)	6-1/2 (165)	3-5/16 (83)	2.5	5112-21
			12.70, 27.00, 34.00*	3-5/8 (91)	4 (102)	7-5/16 (185)	3 (76)	4 (102)	10-5/16 (262)	2-3/4 (70)			7-5/8 (194)	7 (178)	3-13/16 (96)	2.8	
1-1/2	40	VBN3E	4.00, 8.30, 13.40, 32.00*	4-5/16 (114)	4 (102)	7-13/16 (198)	3 (76)	4 (102)	10-13/16 (275)	3-1/4 (83)						3.3	5112-21
			24.00, 61.00	4 (102)	4-1/2 (114)	7-5/16 (185)	3 (76)	4 (102)	11 (279)	3-1/4 (83)						3.3	
2	50	VBN3F	24.00, 38.00, 57.00	4 (102)	4-1/2 (114)	7-5/16 (185)	3 (76)	4 (102)	11 (279)	3-1/4 (83)						3.3	5112-21
			83.00, 109.00	5 (127)	5-13/16 (147)	7-13/16 (198)	3 (76)	4 (102)	12-5/16 (313)	3-3/4 (95)						3.8	
2-1/2	65	VBN3G	38.00, 74.00, 100.00	5 (127)	5-13/16 (147)	7-13/16 (198)	3 (76)	4 (102)	12-5/16 (313)	3-3/4 (95)						3.8	

\* Indica válvula de paso total A: sin inserto de caracterización de flujo.

## Capacidad de rango

La capacidad de rango es una medida para el control de la válvula. Es una propiedad de medición y se expresa como la relación entre el caudal máximo de la válvula y el caudal mínimo controlable.

**Tabla 6. Capacidad de rango y valor C<sub>v</sub> de válvulas de 2 vías disponibles.**

VBN2A	Valor C <sub>v</sub>	0.38	0.68	1.30	2.00	2.30	4.70	8.00	11.70	
	Capacidad de rango	41	17	52	*	321	159	390	251	
VBN2B	Valor C <sub>v</sub>	0.31	0.63	1.20	2.50	4.30	7.40	10.10	14.70	29.00
	Capacidad de rango	41	17	52	321	159	*	390	251	1503
VBN2C	Valor C <sub>v</sub>	4.40	9.00	15.30	26.00	44.00	54.00			
	Capacidad de rango	159	390	1040	484	1263	1207			
VBN2D	Valor C <sub>v</sub>	4.40	8.30	14.90	25.00	37.00	41.00	102.00		
	Capacidad de rango	159	390	1040	*	484	1207	1263		
VBN2E	Valor C <sub>v</sub>	23.00	30.00	41.00	74.00	172.00				
	Capacidad de rango	484	*	603	1263	558				

Tabla 6. Capacidad de rango y valor  $C_v$  de válvulas de 2 vías disponibles.

VBN2F	Valor $C_v$	42.00	57.00	71.00	100.00	108.00	210.00	266.00		
	Capacidad de rango	603	*	287	*	558	750	877		
VBN2G	Valor $C_v$	45.00	55.00	72.00	101.00	162.00	202.00			
	Capacidad de rango	250	*	287	558	750	877			
VBN2H	Valor $C_v$	49.00	63.00	82.00	124.00	145.00				
	Capacidad de rango	250	287	558	750	877				

## Valor $C_v$ efectivo

Para obtener información sobre los coeficientes del valor  $C_v$  efectivos para las válvulas de bola de control de Honeywell que se utilizan con reductores de tuberías, consulte el formulario de la hoja de datos del producto n.º 62-2648.

## Notas sobre la aplicación

### IMPORTANTE

*El tamaño de la válvula es importante para el funcionamiento adecuado del sistema. Las válvulas de menor tamaño no tienen suficiente capacidad a la carga máxima. Las válvulas de mayor tamaño no tienen suficiente control sobre la carga en aplicaciones modulantes.*

*Las válvulas de mayor tamaño pueden ocasionar ciclos excesivos, y el asiento y la bola se pueden dañar debido a la abertura restringida.*

### Uso correcto

Estas válvulas son únicamente para uso en sistemas de agua fría, tibia y caliente. No son aptas para uso con aceite, gases combustibles o vapor. Están diseñadas para un rango medio de temperatura de 35 °F a 250 °F, a una presión máxima de 360 psig. Las válvulas VBN solo deben usarse con los actuadores de acoplamiento directo de Honeywell correspondientes.

El agua se debe filtrar, tratar y acondicionar correctamente según las condiciones y recomendaciones locales de los fabricantes de la caldera o el enfriador. Se recomienda la instalación de depuradores y filtros.

### IMPORTANTE

*La presencia excesiva de óxido de hierro (oxidación de color rojo) en el sistema anula la garantía de la válvula.*

### Fuerza de torsión operativa necesaria

Con las válvulas VRN2 y VBN3, se pueden utilizar tanto los actuadores de acoplamiento directo de baja fuerza de torsión con resorte de retorno como los actuadores MVN sin resorte de retorno, ambos de Honeywell. Las válvulas VB cuentan con un diseño de asiento patentado que disminuye la fuerza de torsión necesaria del actuador.

Tabla 7. Especificaciones de presión de cierre-apagado, presión diferencial.

Tipo de válvula	Tamaño de la válvula (in)	Especificación de presión de cierre-apagado (psid)
2 vías	1/2, 3/4	130
	1, 1-1/4, 1-1/2, 2, 2-1/2, 3	100
3 vías	1/2, 3/4, 1	50
	1-1/4, 1-1/2, 2, 2-1/2	40

NOTA: Rigen las especificaciones de cierre-apagado de 3 vías para las válvulas de 3 vías con el paso B conectado.

## ESPECIFICACIONES COMUNES

### Actuador de válvula

El actuador de acoplamiento directo debe aceptar señal de control análogo de modulación [(0)2-10 V CC], flotante (triestado) o de dos posiciones, como se indica en la secuencia de control. Los actuadores deben ser de Honeywell. El actuador debe proporcionar la fuerza de torsión mínima requerida para la posición de cierre total de la válvula. Se deben proporcionar los terminales de cableado durante la instalación a fin de controlar el cableado de señal y de alimentación.

El actuador debe estar disponible con una carcasa adecuada para hacer instalaciones en el exterior.

Todas las válvulas deben contar con etiquetas de identificación para accesorios que indiquen, con un producto indeleble, el valor  $C_v$ , el número de modelo y la ubicación de la etiqueta.

### Válvula de bola

La carcasa de la válvula debe ser de latón forjado clasificado para no menos de 360 psi a 250 °F. La válvula estándar debe ser de latón químicamente niquelado. El fabricante debe proporcionar una bola y un vástago opcionales de acero inoxidable tipo 316 para las válvulas de 2 vías. La válvula deberá tener un vástago no expulsable y dos juntas tóricas EPDM con un rango mínimo de 600 psi. El fabricante debe proporcionar un inserto de bola de polímero relleno con vidrio para mantener un flujo de igual porcentaje. Las válvulas deben ser de Honeywell. Las válvulas de 2 vías deben tener

VÁLVULAS DE BOLA DE CONTROL ROSCADAS Y ACTUADORES VBN

juntas tóricas EPDM detrás de los sellos de la bola para que haya una presión mínima de cierre-apagado de 100 psi con un actuador que ofrezca una fuerza de torsión de 35 lb-in para los tamaños de 1/2 a 3 in. La válvula debe estar disponible para un valor mínimo único de  $C_v$  de 53. La válvula debe estar disponible con conexiones terminales roscadas (FNPT). Las válvulas de 3 vías deben instalarse en una configuración en "T", con el actuador perpendicular al eje. No se necesitan codos de ningún tipo. Las válvulas de 3 vías

deben tener juntas tóricas EPDM detrás de los sellos de la bola para que haya una presión mínima de cierre-apagado de 40 psi con un actuador que ofrezca una fuerza de torsión de 35 lb-in para los tamaños de 1/2 a 2-1/2 in. Las válvulas de 3 vías deben estar disponibles con configuraciones de válvula con control de mezcla o derivación, además de tener un valor  $C_v$  mínimo único de 42. La válvula debe estar disponible con conexiones terminales roscadas (FNPT).

**Tabla 8. Accesorios y piezas de repuesto para actuadores.**

Número de pieza	Descripción	MVN613A0000	MVN613L0000	MVN643A0000	MVN643L0000	MVN713A0000	MVN713L0000	MN6105A1011	MN7505A2001	MS7505A2030	MS8105A1030
5112-3R	Ensamble dentro de caja con protección contra el clima							x	x	x	x
MVNAAA	Adaptador de válvula de repuesto	x		x		x					
MVNAAL	Adaptador de válvula de repuesto, de perfil bajo		x		x		x				
MVNAC7131	Cable de repuesto con terminal de 1 m, de modulación (ROJO, NEGRO, BLANCO)					x	x				
MVNAC6131	Cable de repuesto con terminal de 1 m, flotante (ROJO, NEGRO, BLANCO)	x	x	x	x						
MVNAT3	Bloque de terminal tipo tornillo de repuesto, se puede enchufar	x	x	x	x	x	x				
5112-11	Soporte del actuador de repuesto							x	x	x	x
205860	Potenciómetro de posición mínima							x	x	x	x
32006306-001	Kit de resistencia (500 ohmios); convierte señal de 4 a 20 mA a 2 a 10 V CC									x	x
Q7002B1009	Módulo de interfaz universal							x	x	x	x
STRN-SCSA	Adaptador de eje autocentrado									x	x
32000085-001	Conexión de alivio de presión (paquete de 10)							x	x	x	x
AT120A1004	Transformador de 120 a 24 V CA (20 VA)	x	x	x	x	x	x	x	x	x	x
AT140A1000	Transformador de 120 a 24 V CA (40 VA)	x	x	x	x	x	x	x	x	x	x
STRN-STRNRLF	Conexión de alivio de presión (paquete de 10)									x	x

**Automatización y control desenlace**

Honeywell International Inc.  
 1985 Douglas Drive North  
 Golden Valley, MN 55422  
 customer.honeywell.com



© Marca Registrada en los Estados Unidos  
 © 2013 Honeywell International Inc.  
 Todos los derechos reservados  
 63-4378EFS—04 M.S. Rev. 10-13  
 Impreso en Estados Unidos